

BUMPER

Turbine Kinetics Part Number 290-0669-502KT

Goodrich Part Number 290-0669-502

[Next Higher Assembly Part : 290-0625-503](#)

[- Door Assy - Island Outbd](#)

Eligibility:

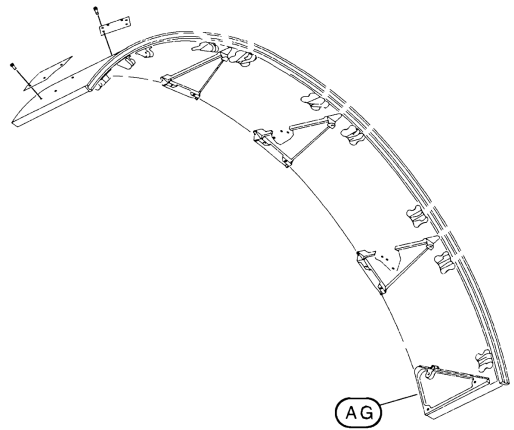
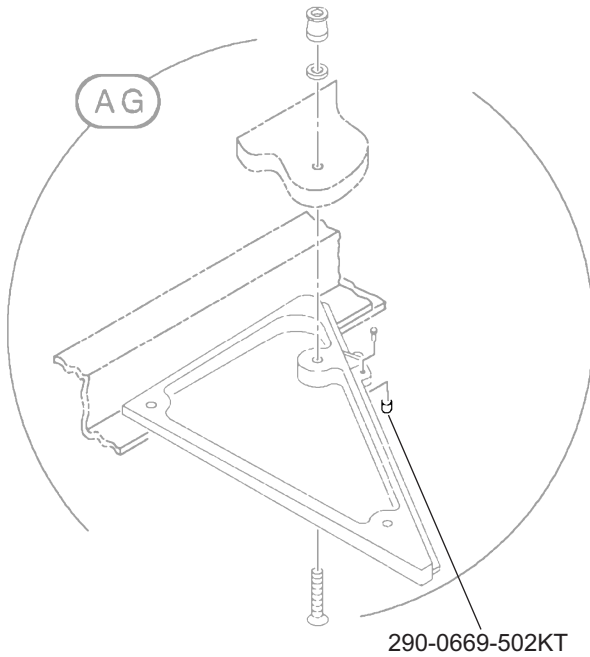
[See FAA-PMA Supplement](#)

IPC Reference:

MD-90-78-30

Quantity:

20



Location:

Upper LH Translating Sleeve Assy