

PIN-STOW LOCK OUT

Seal Dynamics Part Number 290-0508-501SD

Goodrich Part Number 290-0508-501

[Next Higher Assembly : 290-0003-3S, 290-0038-515, 290-0003-4S, 290-0038-516](#)
[- Door Assy-Latch Access](#)

Eligibility:

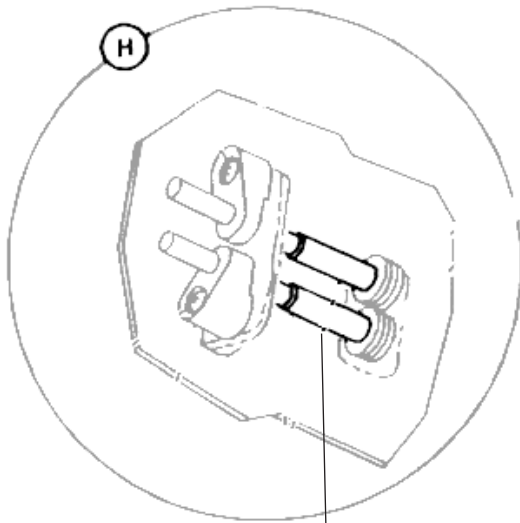
[See FAA-PMA Supplement](#)

IPC Reference:

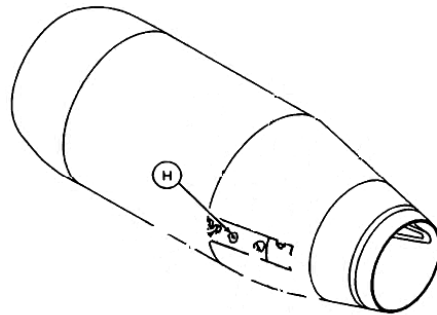
MD-90-78-32

Quantity per NHA:

2 per Unit



290-0508-501SD



Location:

Thrust Reverser Pressure Relief Door and
Recovery Scoop