

SEAL

Seal Dynamics Part Number 290-0265-9SD, 290-0265-10SD

Goodrich Part Number 290-0265-9, 290-0265-10

Next Higher Assembly Part : 290-0265-501, -502, -503, -504

- Seal Installation Upper Outboard LH, RH, Seal Installation Lower Outboard LH, RH

Eligibility:

[See FAA-PMA Supplement](#)

IPC Reference:

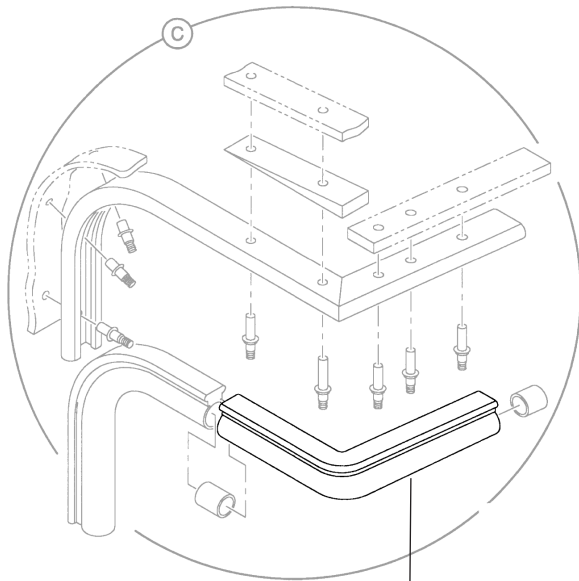
MD-90-78-30

Quantity:

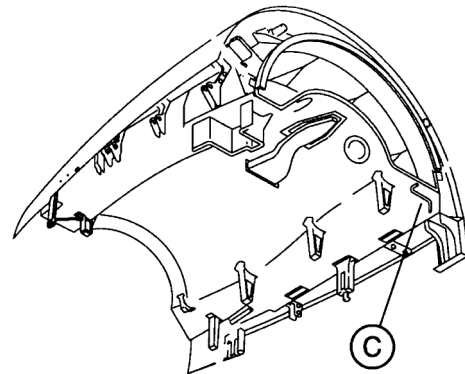
1 Per Unit



(290-0265-10SD not illustrated)



290-0265-9SD



Location:

Seal Instl-Upr Outbd