

## SEAL

Seal Dynamics Part Number 290-0265-9SD, 290-0265-10SD

Goodrich Part Number 290-0265-9, 290-0265-10

Next Higher Assembly Part : 290-0265-501, -502, -503, -504

- Seal Installation Upper Outboard LH, RH, Seal Installation Lower Outboard LH, RH

**Eligibility:**

[See FAA-PMA Supplement](#)

**IPC Reference:**

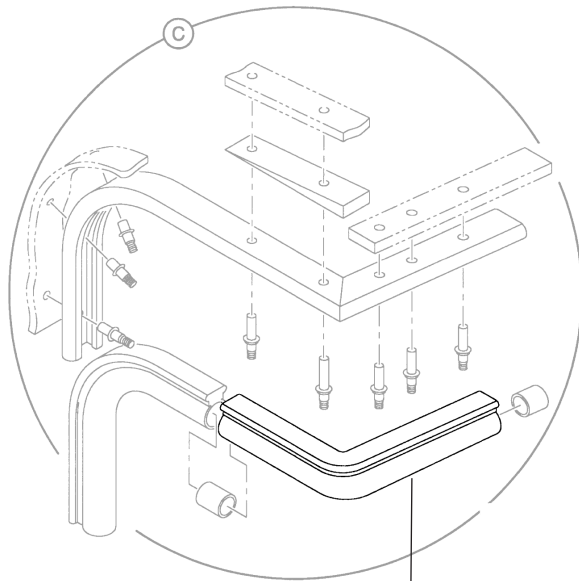
MD-90-78-30

**Quantity:**

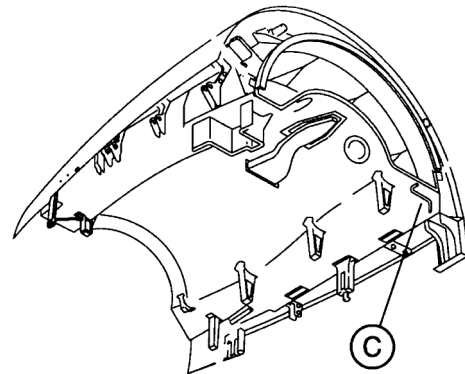
1 Per Unit



(290-0265-10SD not illustrated)



290-0265-9SD



**Location:**

Seal Instl-Upr Outbd