

HEICO

SEAL

Seal Dynamics Part Number: 290-0264-9SD

Goodrich Part Number: 290-0264-9

Next Higher Assembly Part Number: 290-0264-501, -502, 290-0264-503, -504
- Seal Instl-Fixed Structure Inbd LH, RH

Eligibility:

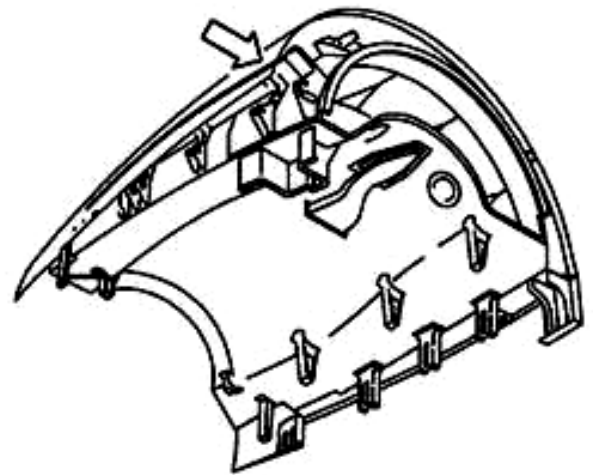
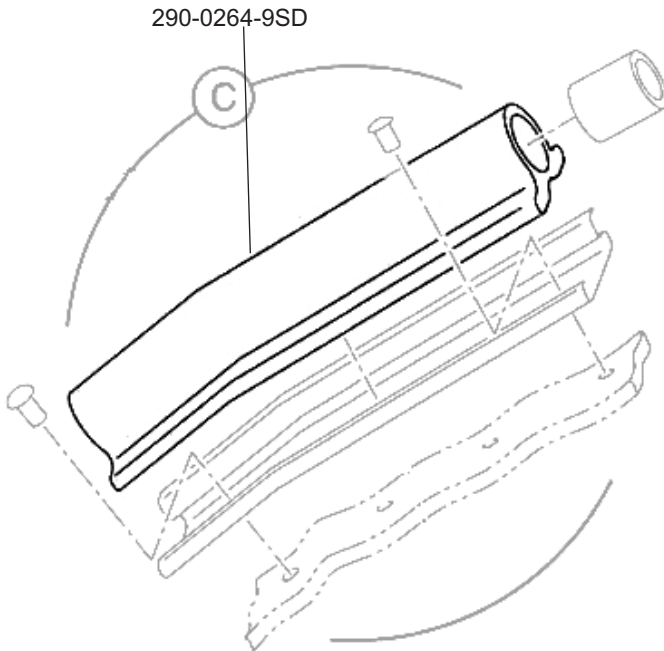
See FAA PMA Supplement

IPC Reference:

MD-90-78-30

Quantity:

1 per NHA



Location:

Seal Instl - Fixed Structure Upr Inbd