

HEICO

SEAL

Seal Dynamics Part Number: 290-0264-13SD

Goodrich Part Number: 290-0264-13

Next Higher Assembly Part Number: 290-0264-503, -504 - Seal Instl-Fixed Structure Inbd LH, RH

Eligibility:

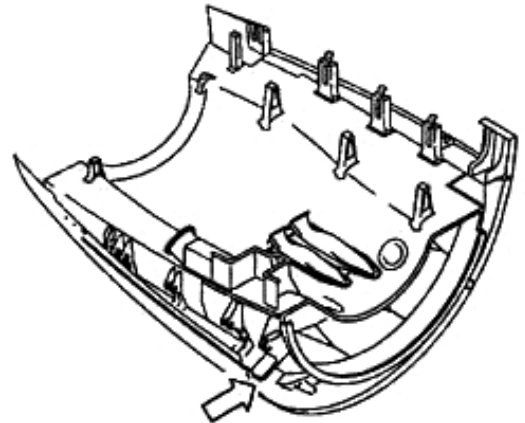
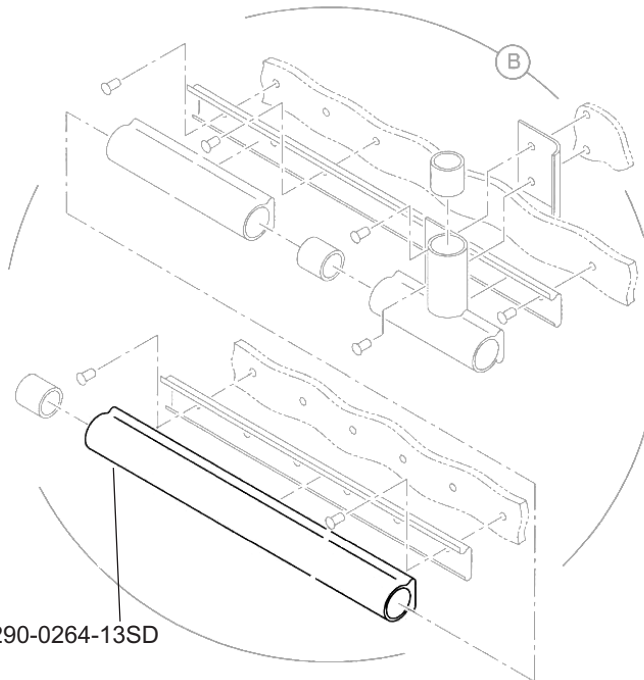
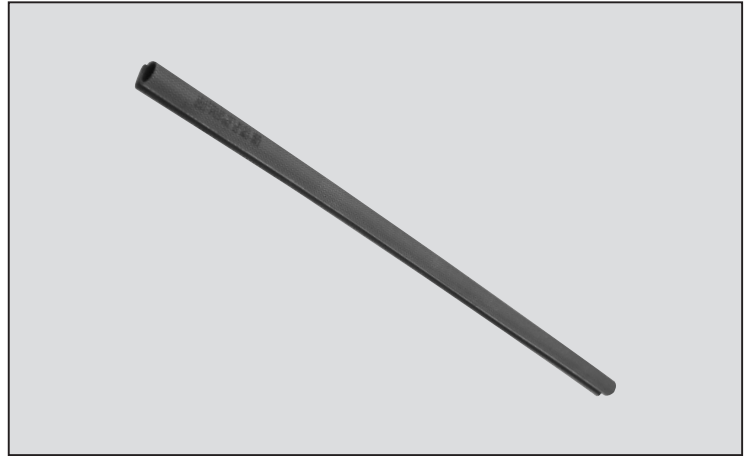
[See FAA PMA Supplement](#)

IPC Reference:

MD-90-78-30

Quantity:

1 per NHA



Location:

Seal Instl - Fixed Structure Lwr Inbd