

# HEICO

## SEAL

Seal Dynamics Part Number: 290-0237-19SD

Goodrich Part Number: 290-0237-19

Next Higher Assembly Part Number: 290-0431-549, -550 - Fireshield Assy

### Eligibility:

[See FAA PMA Supplement](#)

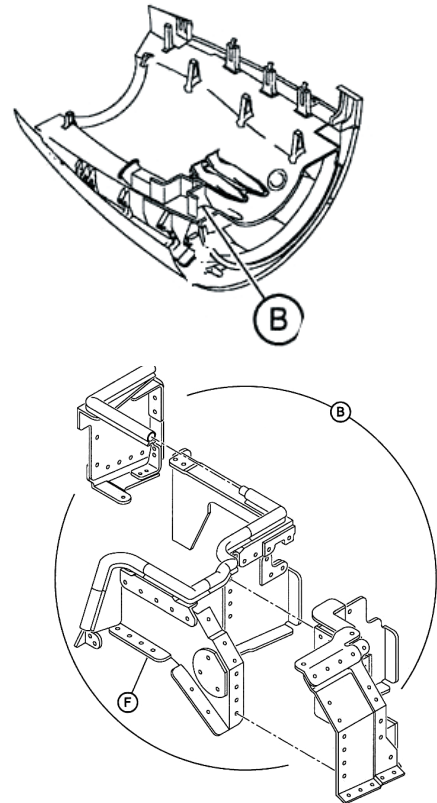
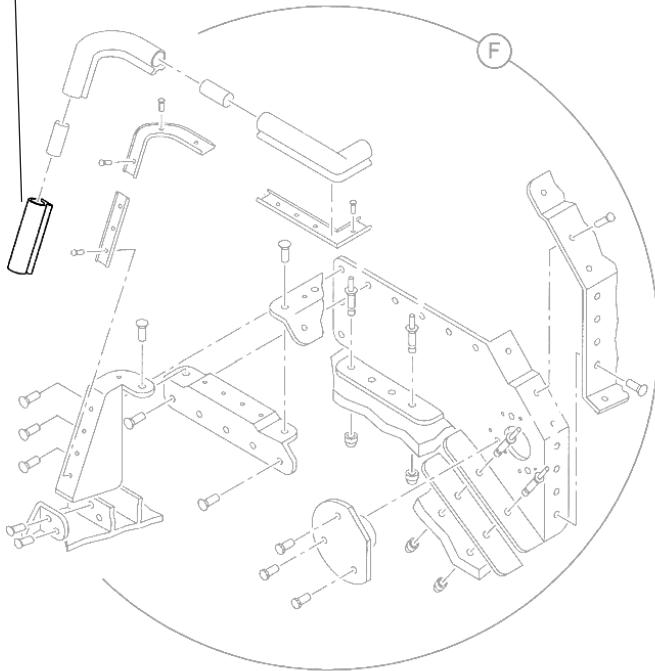
### IPC Reference:

MD-90-78-30

### Quantity:

1 per NHA

290-0237-19SD



### Location:

Fireshield Instl-LWR