

## SEAL

Seal Dynamics Part Number 290-0237-13SD, 290-0237-14SD

Goodrich Part Number 290-0237-13, 290-0237-14

[Next Higher Assembly Part : 290-0431-549, -550,](#)

[- Fireshield Assy](#)

**Eligibility:**

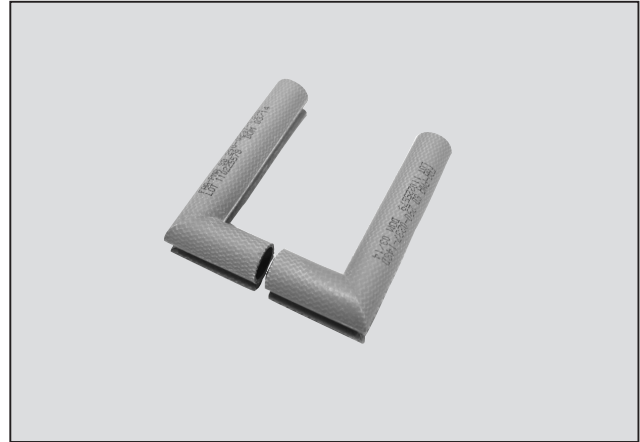
[See FAA-PMA Supplement](#)

**IPC Reference:**

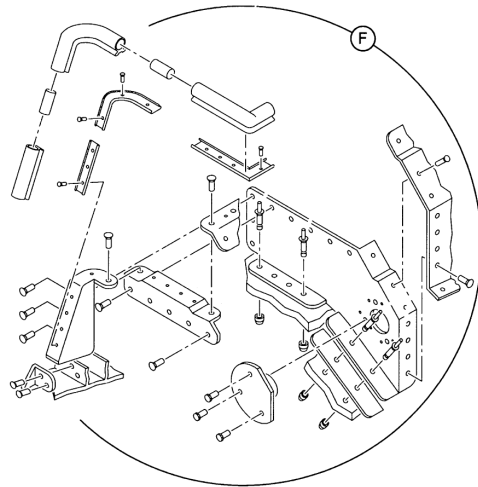
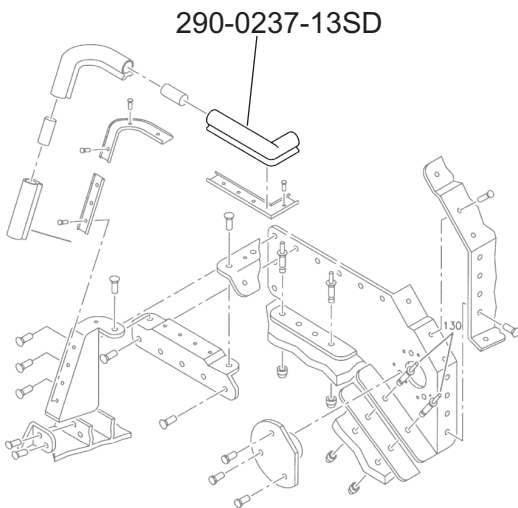
MD-90-78-30

**Quantity:**

1 Per Unit



(290-0237-14SD not illustrated)



**Location:**

Fireshield Instl-Lwr