

SEAL-END

Seal Dynamics Part Number 290-0230-501SD, 290-0230-502SD

Goodrich Part Number 290-0230-501, 290-0230-502

[Next Higher Assembly Part : 290-0265-501, -502](#)

[- Seal Instl-Uper Outbd LH, RH](#)

Eligibility:

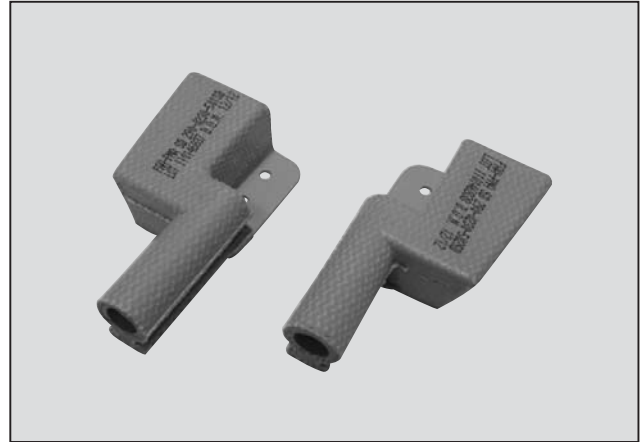
[See FAA-PMA Supplement](#)

IPC Reference:

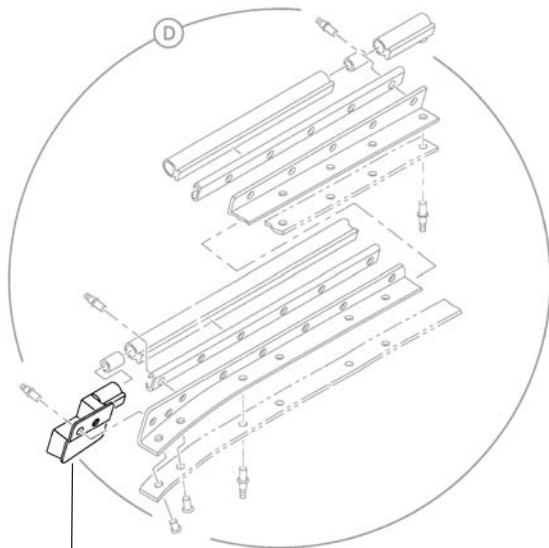
MD-90-78-30

Quantity:

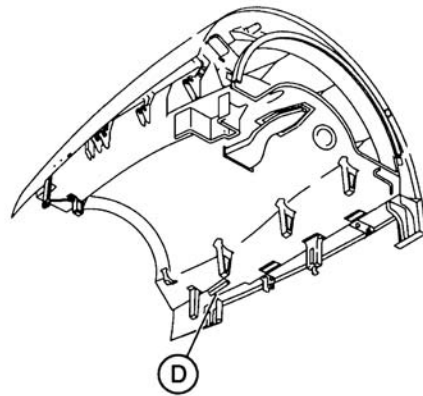
1



(290-0230-501SD not illustrated)



290-0230-502SD



Location:

Seal Instl-Upr Outbd