

SEAL

Seal Dynamics Part Number 290-0117-513SD

Goodrich Part Number 290-0117-513

Next Higher assembly : 290-0115-501, -502
- Seal Instl - Fwd Upper RH, LH

Eligibility:

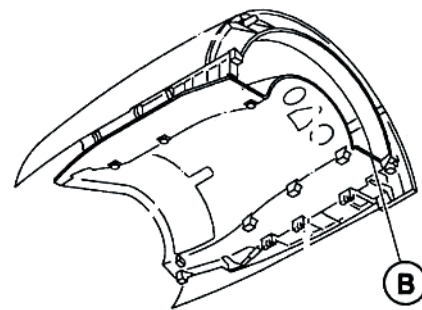
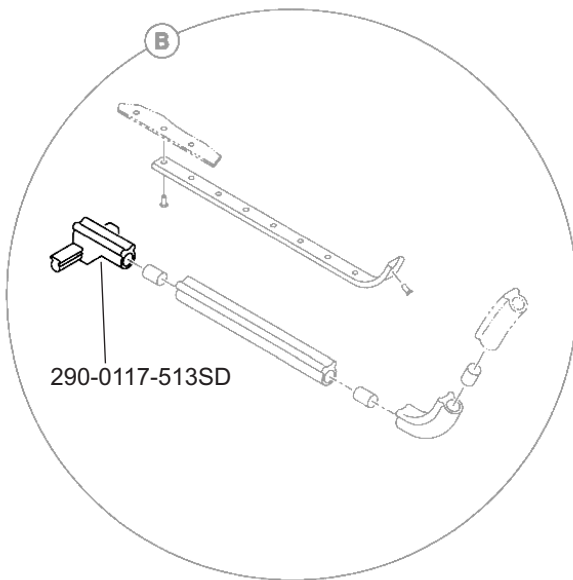
[See FAA-PMA Supplement](#)

IPC Reference:

MD-90-78-30

Quantity:

1



Location:

Seal Instl-Forward Upper