

HEICO

SHIM

Turbine Kinetics Part Number: 290-0060-505KT

Goodrich Part Number: 290-0060-505

Next Higher Assembly Part Number: 290-0189-509, -511, -513, -515, -517, -519, -521, -523, -524, -527, -529, -531, -533, -535
290-0004-509, -511, -513, -515, -517, -519, -521, -523, -525, -527, -529, -531, -533, -535
- Structure Assy - Sub (Fixed LWR LH & RH Side)

Eligibility:

[See FAA PMA Supplement](#)

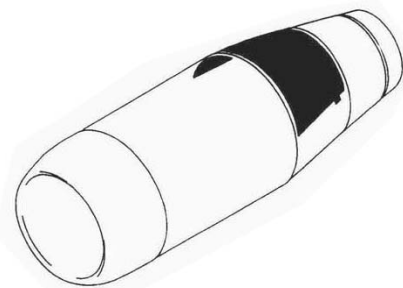
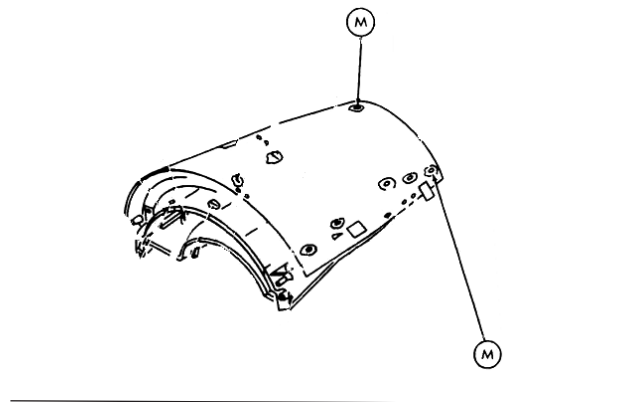
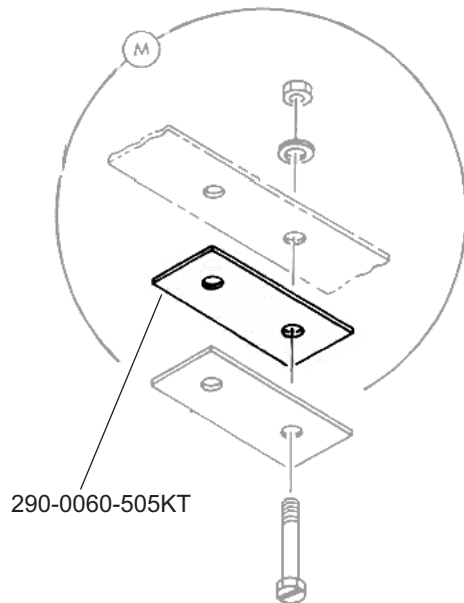
IPC Reference:

MD-90-78-30

MD-90-78-32

Quantity:

From 8 to 16 per Engine



Location:

Upper Thrust Reverser