

HEICO

GASKET

Seal Dynamics Part Number: 290-0033-61SD

Goodrich Part Number: 290-0033-61

Next Higher Assembly Part Number: 290-0033-503, -504 - Door Assy-LH & RH

Eligibility:

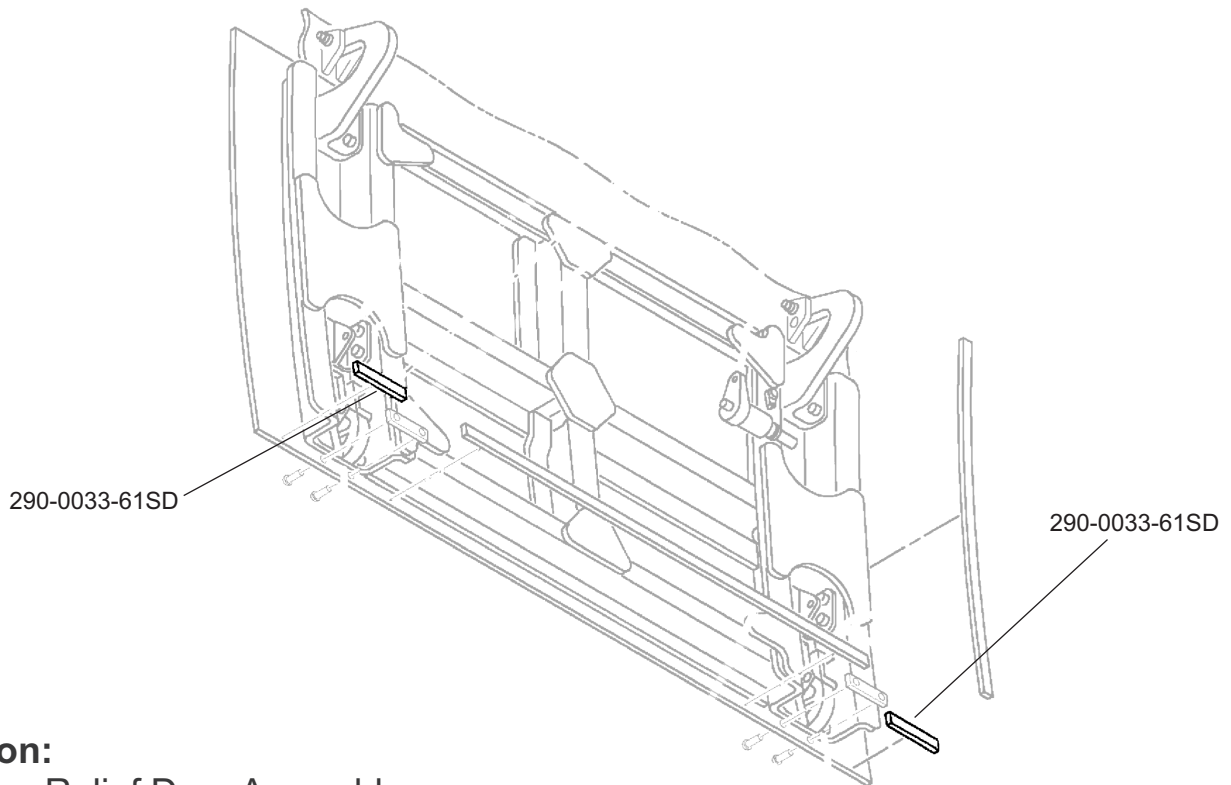
[See FAA PMA Supplement](#)

IPC Reference:

MD-90-78-30

Quantity:

2 per NHA



Location:

Pressure Relief Door Assembly