

# HEICO

## LANYARD ASSY - FWD

Seal Dynamics Part Number: 290-0032-5SD

Goodrich Part Number: 290-0032-5

Next Higher Assembly Part Number: 290-0032-505 - Door Assy - Pressure Relief (LH)

**Eligibility:**

[See FAA PMA Supplement](#)

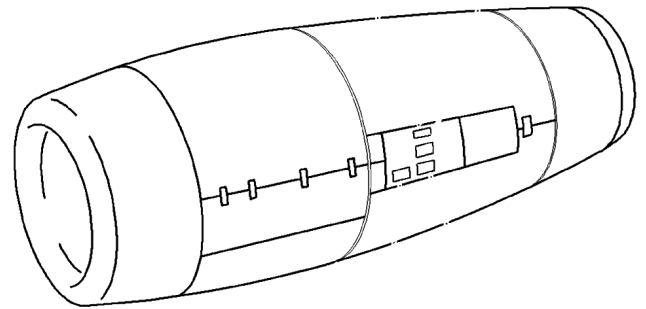
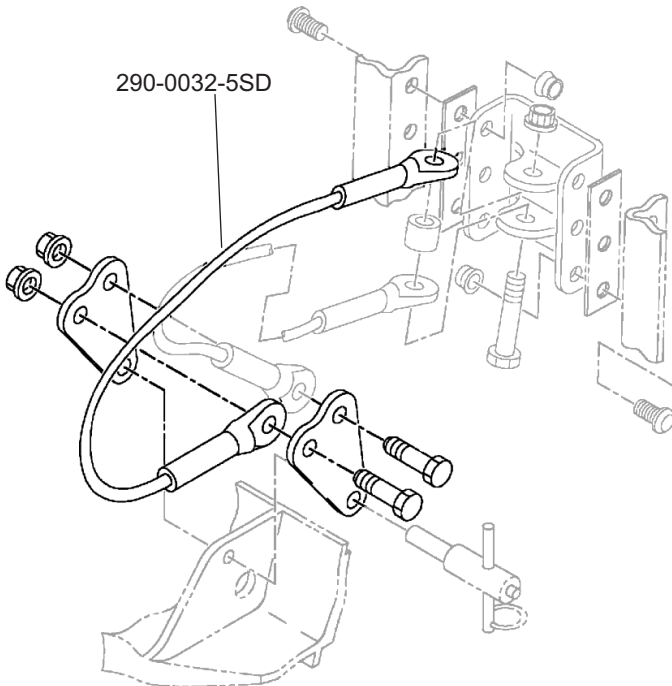
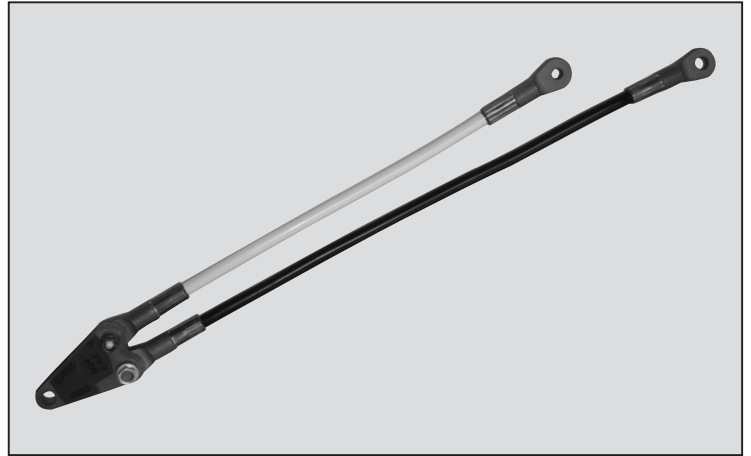
**IPC Reference:**

MD-90-78-30

MD-90-78-32

**Quantity:**

1



**Location:**

Pressure Relief Door Assembly