

## BRUSH AND SHUNT ASSEMBLY

Jet Avion Part Number 287511JA

Moog Part Number 287511

[Next Higher Assembly Part : 092550-11802-109](#)  
[- Slipping Assembly](#)

**Eligibility:**

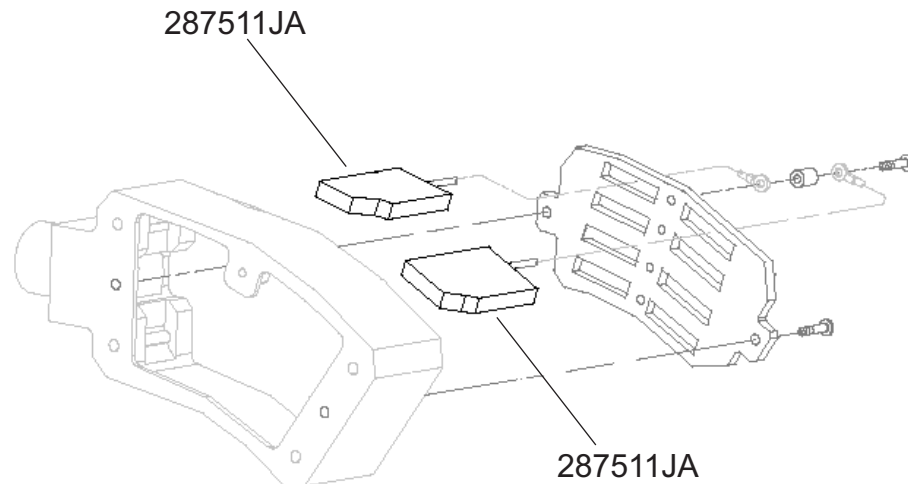
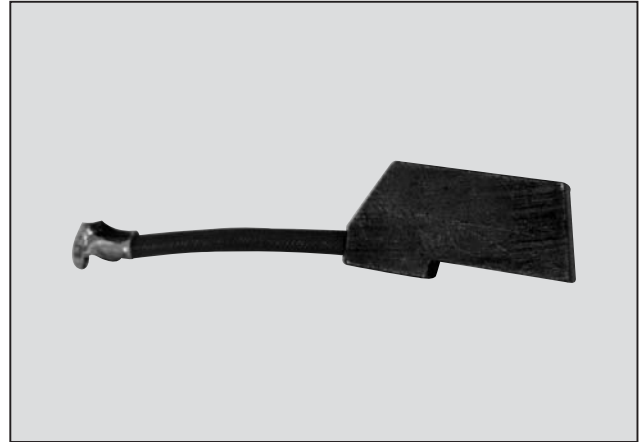
[See FAA-PMA Supplement](#)

**IPC Reference:**

S-92A-30-61

**Quantity:**

8 per NHA



**Location:**

Tail Rotor Deice Slipping