

SPRING

Turbine Kinetics Part Number 2710192-1DEC

Honeywell Part Number 2710192-1

[Next Higher Assembly : 2704506-1 / -2](#)

[- Direct Current Motor](#)

Eligibility:

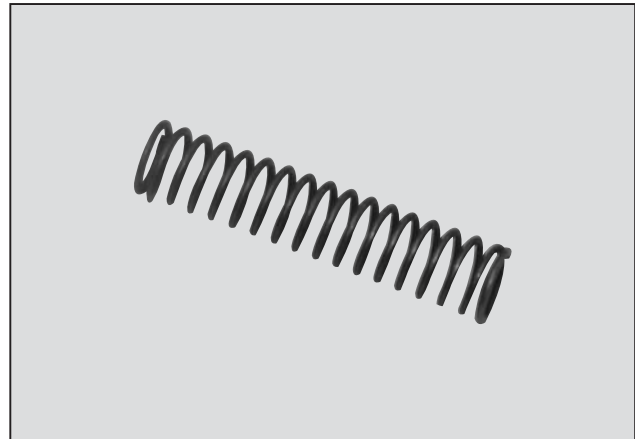
[See FAA-PMA Supplement](#)

IPC Reference:

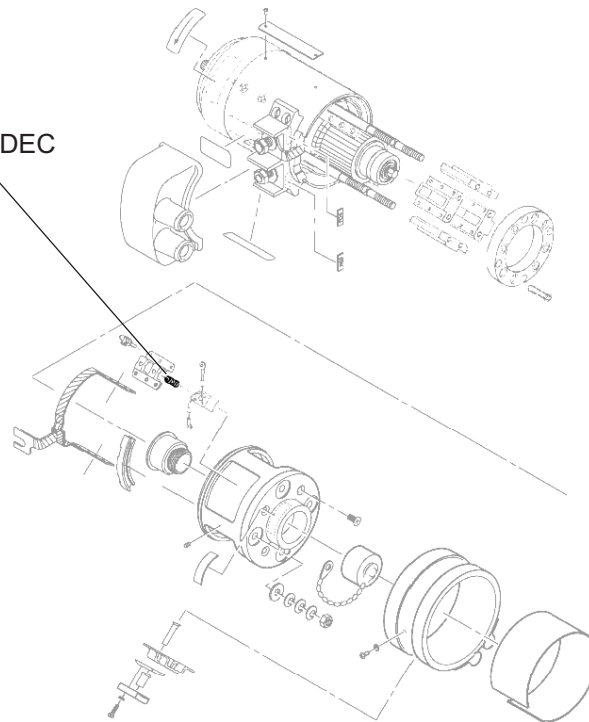
Honeywell 49-11

Quantity:

8



2710192-1DEC



Location:

Direct Current Motor