

BOLT, MACHINE

Turbine Kinetics Part Number 2609811KT

Honeywell Part Number 2609811

[Next Higher Assembly Part Number: 2609471-2, 2609471-3](#)
[- Wheel Assembly, Main](#)

Eligibility:

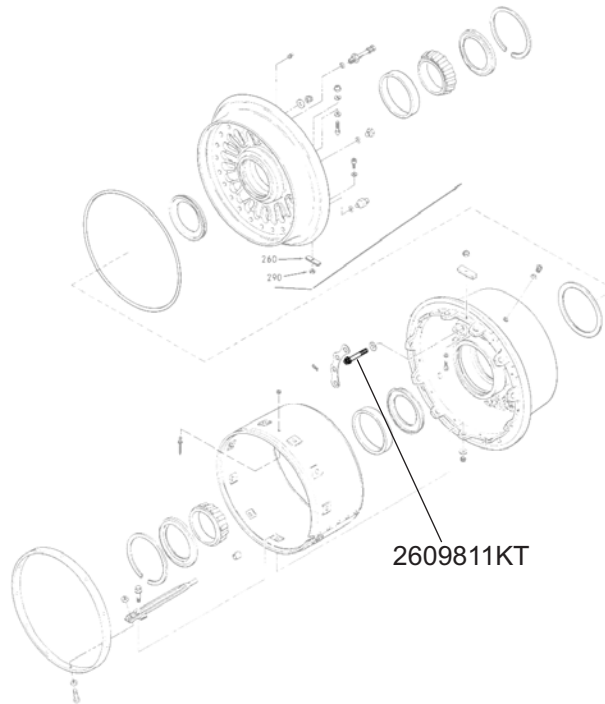
[See FAA/PMA Supplement](#)

IPC Reference:

MD-11-32-44

Quantity:

22



Location:

Main Wheel Assembly