

PISTON

Seal Dynamics Part Number 2609139SD

Honeywell Part Number 2609139

[Next Higher Assembly Part : 2608892-1](#)
[- Brake Assembly](#)

Eligibility:

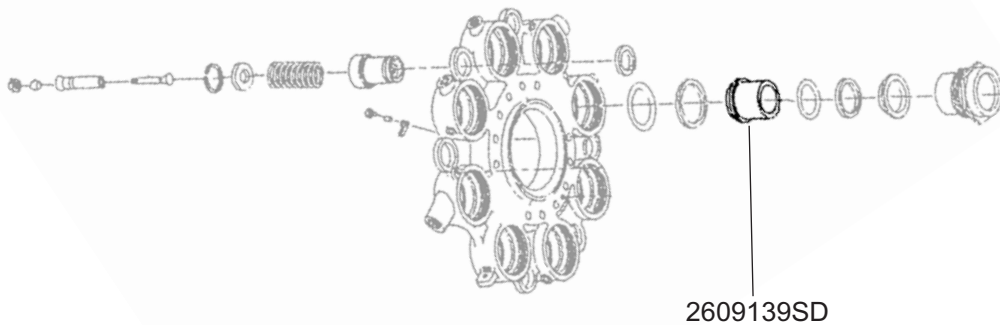
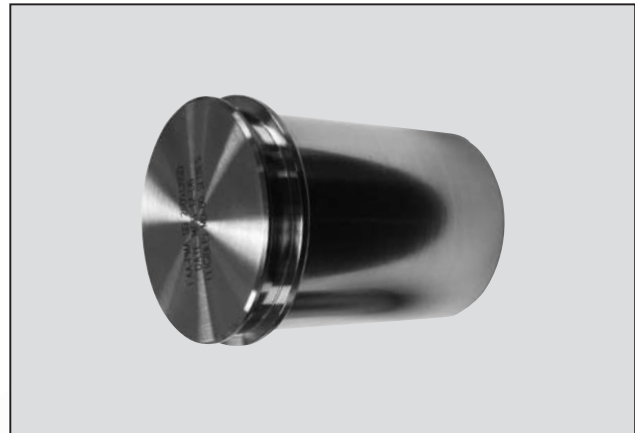
[See FAA-PMA Supplement](#)

IPC Reference:

MD80 32-44

Quantity:

8



Location:

Brake Assembly