

## SLEEVE

Seal Dynamics Part Number 224607SD

Meggitt-Whittaker Part Number 224607

Next Higher Assembly Part : 326635, -1,-2,-3, 322984-1,-2,-3, 321177-1,-2 -3, 321935, 321945

- Valve, HPT Clearance Control, Valve Subassembly Shut Off,  
Valve Subassembly Regulator, Valve, Butterfly, Pressure Actuated

**Eligibility:**

[See FAA-PMA Supplement](#)

**IPC Reference:**

A318-75-23, A319-75-23

A320-75-23, A321-75-23

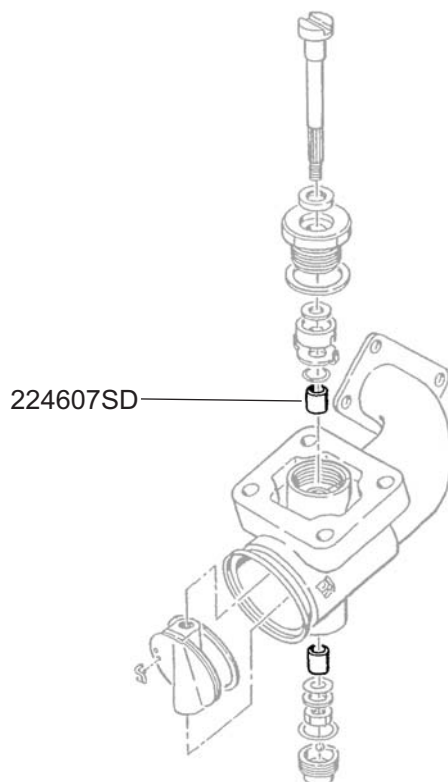
CFM56-75-23

B737-36-11

SF340-36-11

**Quantity:**

From 1 to 2



**Location:**

4th Stage Start Bleed Valve Subassembly