

HEICO

LATCH, DEFLECTION RESTRAINT

Turbine Kinetics Part Number: 217-0362-01DEC

GKN Aerospace Chem-Tronics Part Number: 217-0362-01

Next Higher Assembly Part Number: F7113416100060 / F7113426100060
- Left / Right Fan Cowl Door Instl-RR Z400

Eligibility:

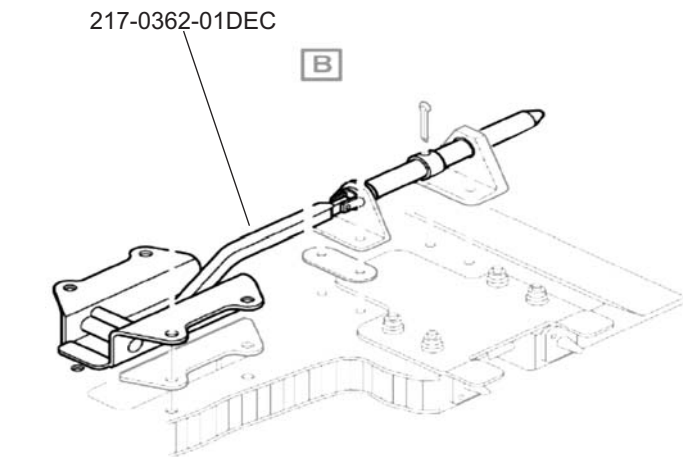
See [FAA PMA Supplement](#)

IPC Reference:

A33071-13

Quantity:

2 per Unit



Location:

Fan Cowl

