

HEICO

RETAINER, 1/4 TURN

Turbine Kinetics Part Number: 216002-5DEC

Driessen Aircraft Interior Systems Part Number: 216002-5

Next Higher Assembly Part Number: D2539009902263, 501021-1 - Catch Instl - Galley 5

Eligibility:

[See FAA PMA Supplement](#)

IPC Reference:

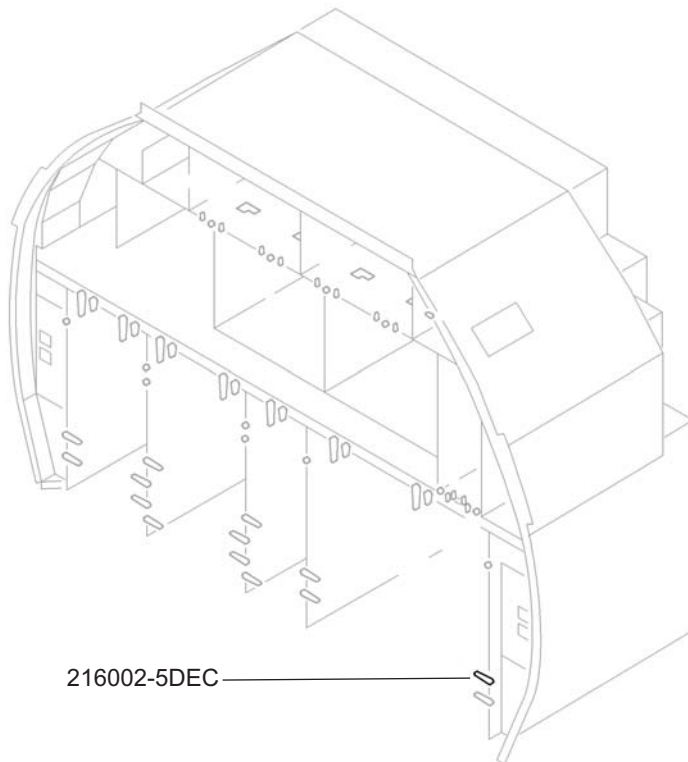
A319-25-33, A320-25-33

A321-25-33, B737-25-31

B757-25-31

Quantity:

As required



Location:

Catch Instl - Galley 5