

HEICO

RETAINER, 1/4 TURN

Turbine Kinetics Part Number: 216001-4DEC

Driessen Aircraft Interior Systems Part Number: 216001-4

Next Higher Assembly Part Number: 501166-1, 101438-1, 101769-1, 101770-1 - Galley Assy-G2

Eligibility:

See FAA PMA Supplement

IPC Reference:

A319-25-22, A320-25-22

A321-25-22, A330-25-22

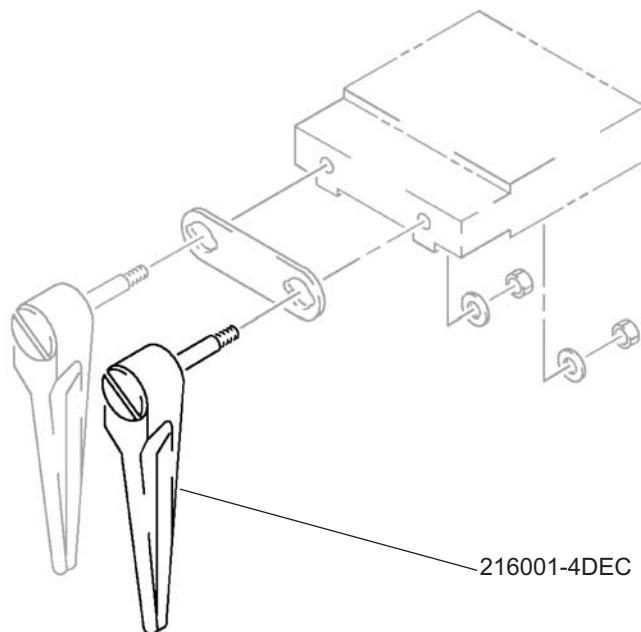
A340-25-31, A340-25-32

A340-25-33, B737-25-31

DC9-25-30

Quantity:

3



Location:

Galley Assy-G2