

HEICO

RETAINER, 1/4 TURN

Turbine Kinetics Part Number: 216001-3DEC

Driessen Aircraft Interior Systems Part Number: 216001-3

Next Higher Assembly Part Number: 501166-1, D2539009902263, D2539001100263, D2539009900063, 101769-1, 177725-11, 101691-101 - Galley Assy-G2 / Galley Assy-G1

Eligibility:

[See FAA PMA Supplement](#)

IPC Reference:

A319-25-31, A320-25-31, A321-25-31

A319-25-33, A320-25-33, A321-25-33

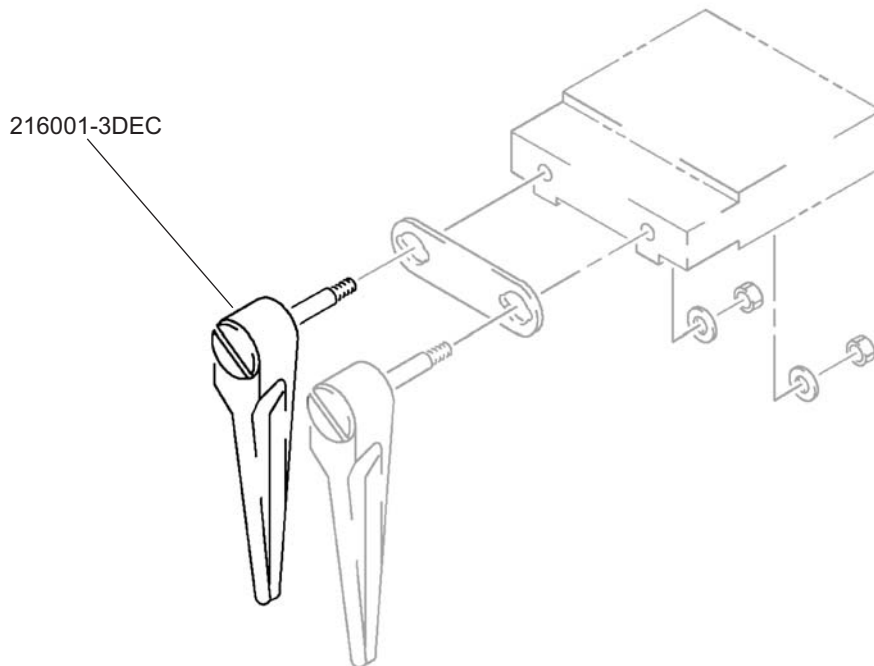
B 737-25-31, B757-25-31

MD-90-25-31, DC9-25-30



Quantity:

3



Location:

Galley Assy-G2