

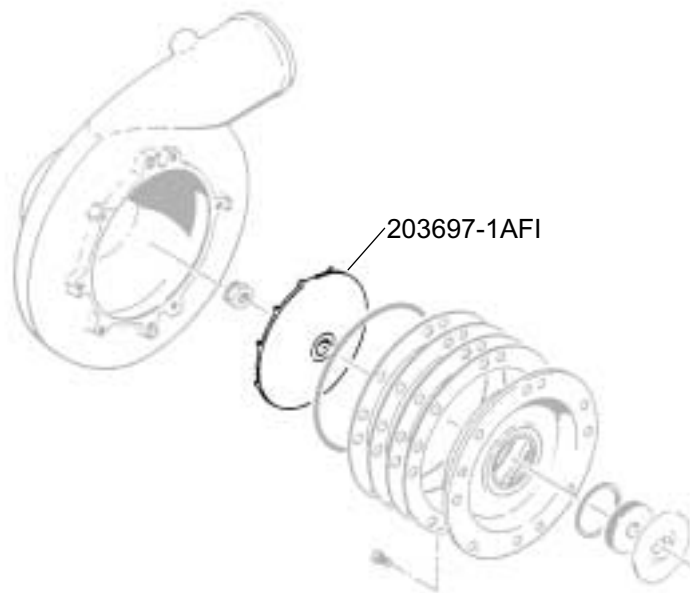
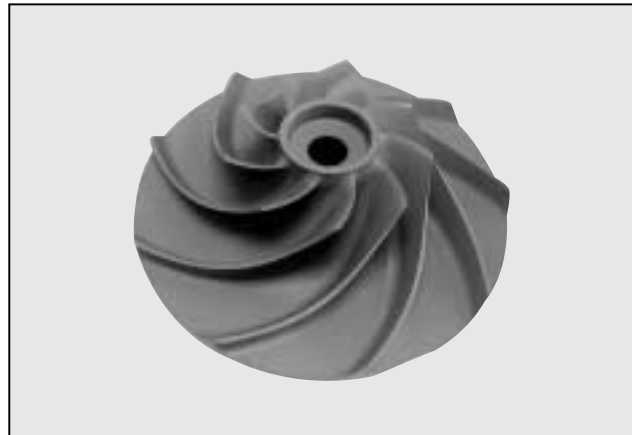
IMPELLER

AFI Part Number 203697-1AFI
Allied Signal Part Number 203697-1

Engine Eligibility:
[See FAA/PMA Supplement](#)

IPC Reference:
Allied Signal 21-50

Quantity Per Unit:
1



Location:
Cooling Turbine

