

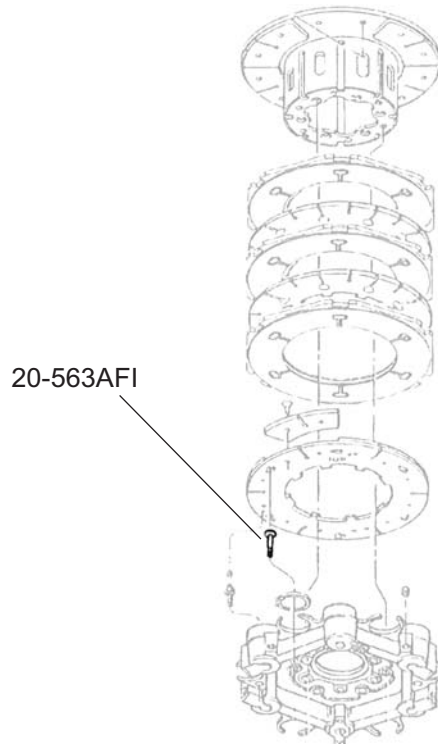
PIN, ADJUSTER

Aviation Facilities Part Number 20-563AFI
Goodrich Part Number 20-563

Eligibility:
[See FAA-PMA Supplement](#)

IPC Reference:
EMB120-32-41

Quantity:
6



Location:
Main Brake Assembly