

UPHOLSTERY-ARMREST (LH), (RH)

Seal Dynamics Part Number 1A090-0129AJSD, -0130AJSD

IPECO Inc Part Number 1A090-0129AJ, -0130AJ

Next Higher Assembly Part : 3A090-0017-01-1, -02-1; 3A090-0019-01-1, -02-1, -03-1;

3A090-0021-01-1, -01-2, -02-1, -02-2, -03-2, -04-2, -05-2, -06-2 - Seat (Captain)

3A090-0018-01-1, -02-1; 3A090-0020-01-1, -02-1, 03-1;

3A090-0022-01-1, -01-2, -02-1, -02-2, -03-2, -04-2, -05-2, -06-2 (Seat - First Officer)

Eligibility:

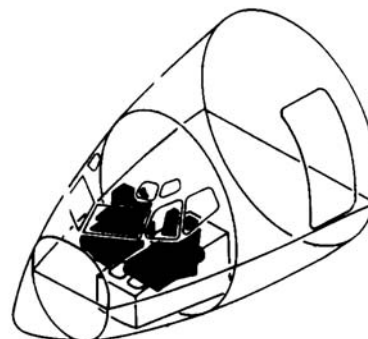
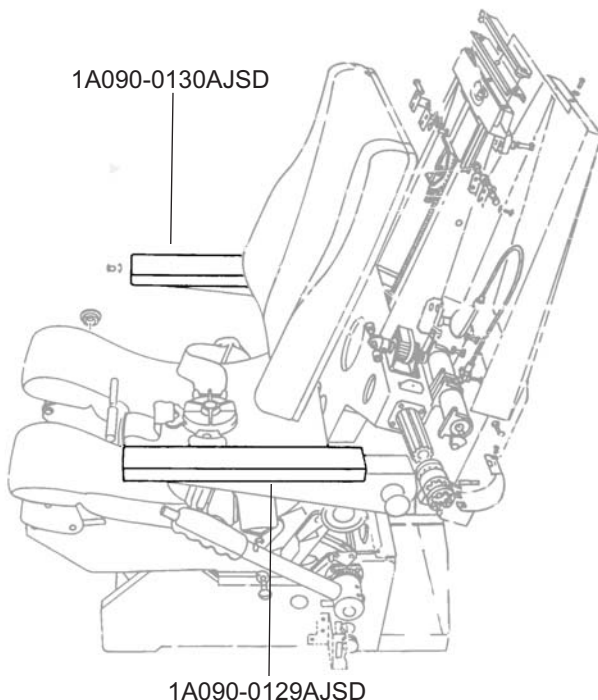
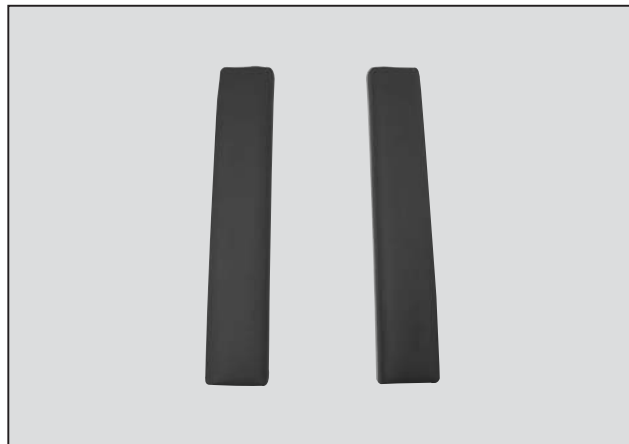
[See FAA-PMA Supplement](#)

IPC Reference:

B737-25-11

Quantity:

1



Location:

Seat Assy - Capt. and First Officer