

HEICO

MICROSWITCH

Flight Specialties Part Number: 16HM4FS

Liebherr Part Number: 16HM4

Next Higher Assembly Part Number: 6713D010000, 6713D020000, 6713D040000, 6713D050000, 6713D060000, 6713D070000, 6773F010000, 6774G010000, 6740F010000

- Valve, HP., Regulating; Valve, Bleed, HP; Valve, Bleed; Valve, Overpressure

Eligibility:

[See FAA PMA Supplement](#)

IPC Reference:

A319-36-11

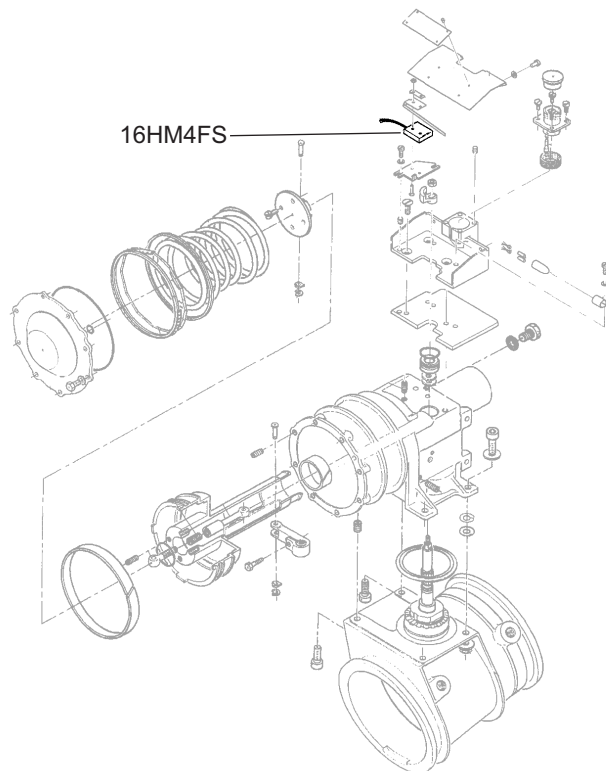
A320-36-11

A321-36-11

Liebherr-36-11

Quantity:

From 1 to 2 per NHA



Location:

Pneumatic Actuator