

BUSHING

Seal Dynamics Part Number 16285-1SD

4 Flight Industries Part Number 16285-1

Next Higher assembly : 15680-37X, -83AC, -49AA, -21, 11, 411221001-107V
- Seat Assy - Observer, Seat Assy - Attendant

Eligibility:

[See FAA-PMA Supplement](#)

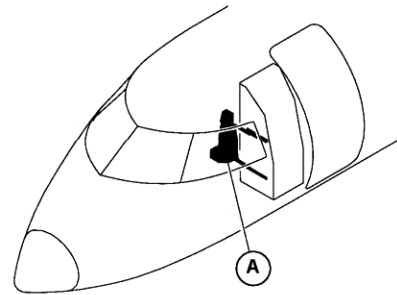
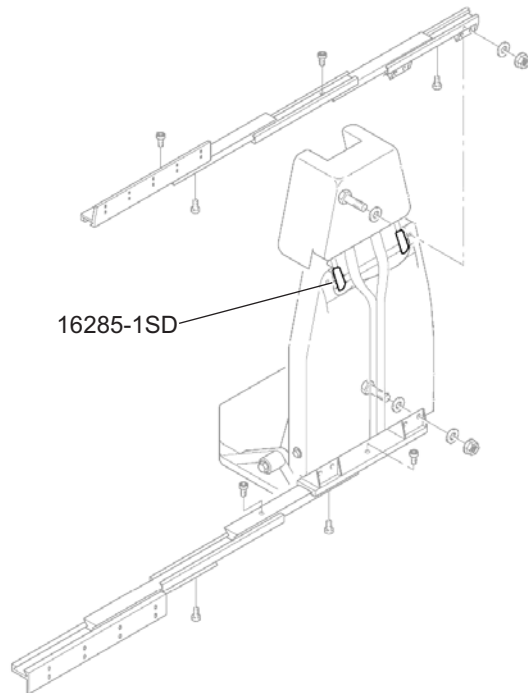
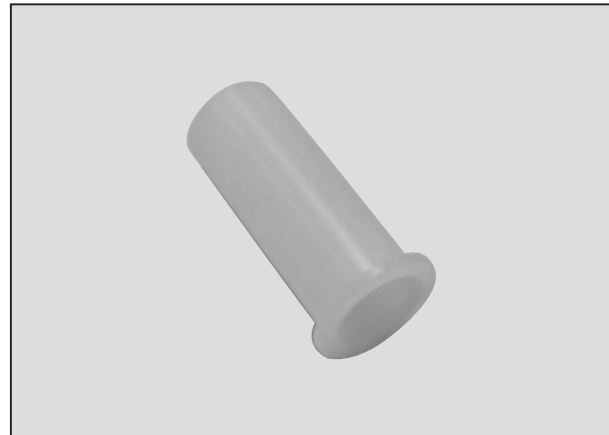
IPC Reference:

CL-600-25-12

CL-600-25-22

Quantity:

2



Location:

Observer Seat