

# HEICO

## BALL ASSY - SPLIT

Seal Dynamics Part Number: 161A1502-9SD

Boeing Part Number: 161A1502-9

Next Higher Assembly Part Number: 161A1500-1, 161A1500-5, 161A1500-2, 161A1500-6  
- Bearing Assy-Turn Mlg, Aft LH, RH

Eligibility:

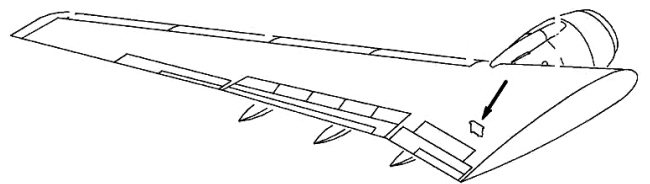
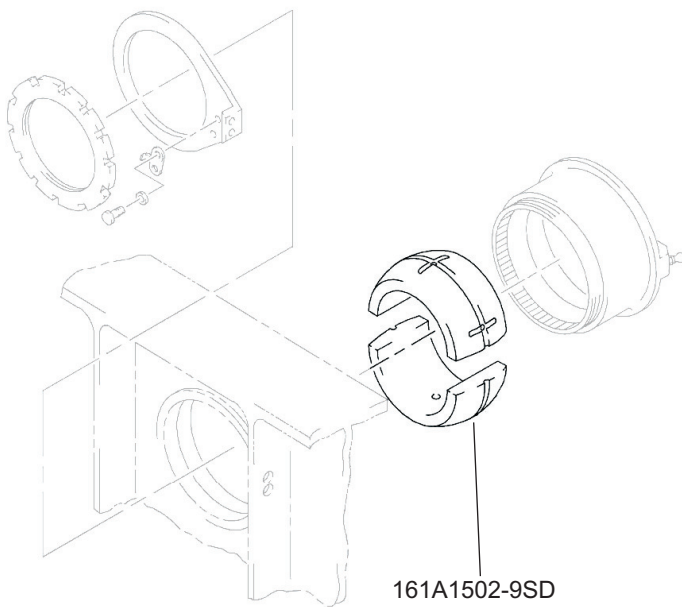
[See FAA PMA Supplement](#)

IPC Reference:

737-32-11

Quantity:

1 per Unit



Location:

Bearing Assy-Turn Mlg Aft