

## SPRING ASSEMBLY

Seal Dynamics Part Number 145-49217-401SD

Embraer Part Number 145-49217-401

[Next Higher Assembly Part : 145-37016-403](#)  
[- Baggage Door](#)

**Eligibility:**

[See FAA-PMA Supplement](#)

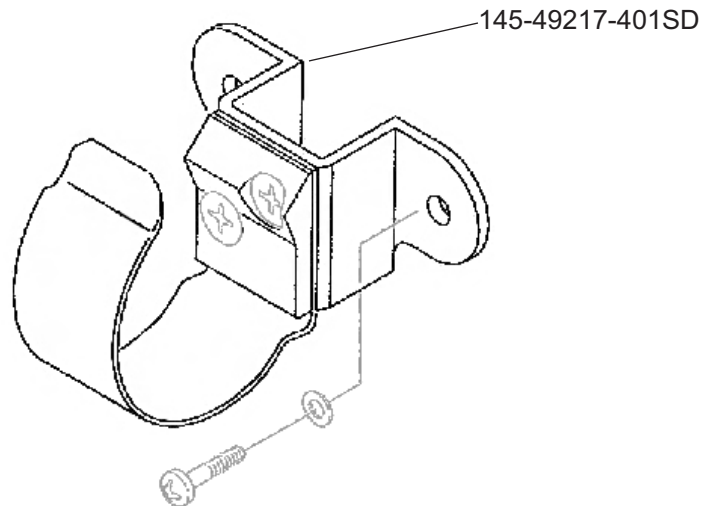
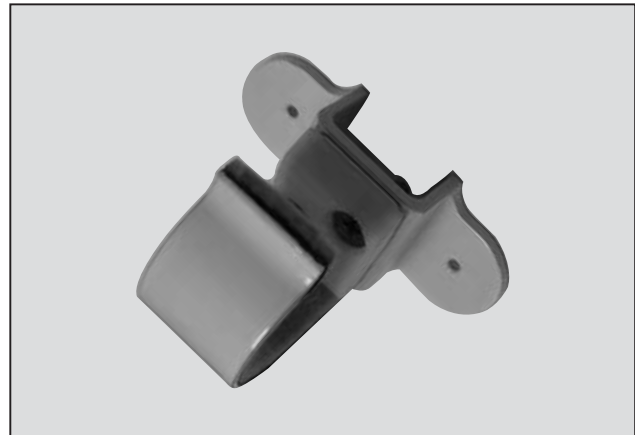
**IPC Reference:**

EMB-135-52-30

EMB-145-52-30

Quantity:

1



**Location:**

Support Instl. Baggage Door