

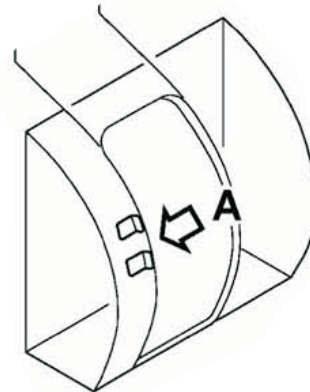
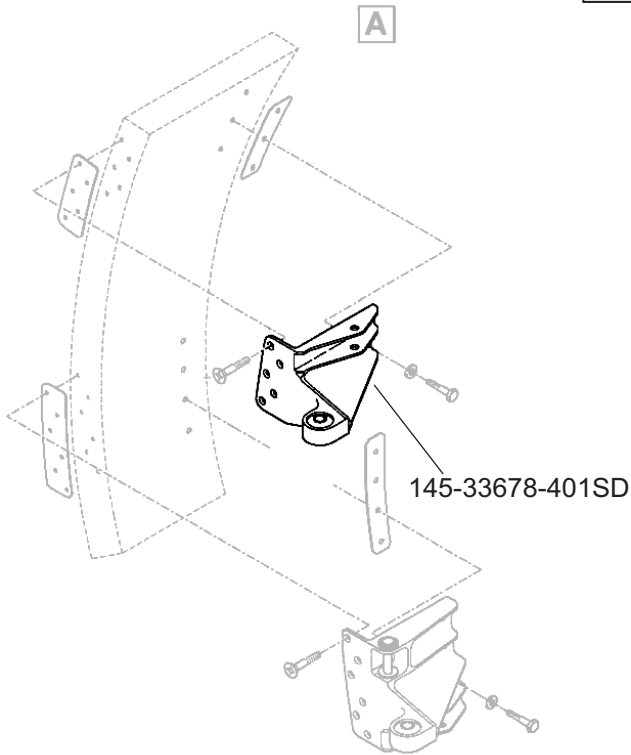
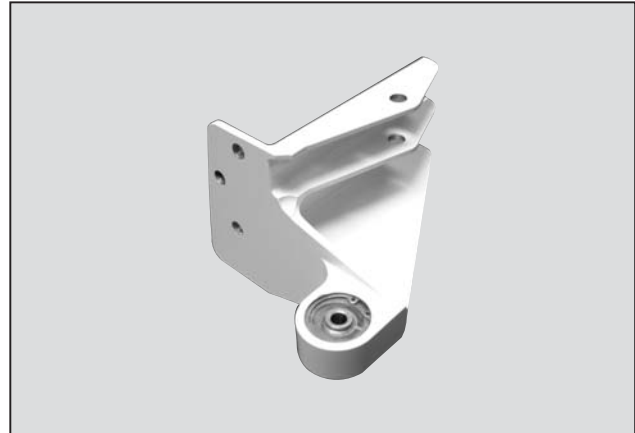
SUPPORT, UPPER ASSY

Seal Dynamics Part Number 145-33678-401SD
Embraer Part Number 145-33678-401
Next Higher Assembly Part : 145-40853-401
- Main Door

Eligibility:
[See FAA-PMA Supplement](#)

IPC Reference:
EMB-135-53-21
EMB-145-53-21

Quantity:
1



Location:
Hinge Fittings Instl,
Side-Hinged Main Door