

PIN ASSY

Seal Dynamics Part Number 145-28162-403SD

Embraer Part Number 145-28162-403

[Next Higher Assembly Part : 145-34370-XXX, 145-35226-XXX, 145-23423-XXX, 145-42502-XXX](#)
[- Elevator Assembly, Tab II Structure Assembly](#)

Eligibility:

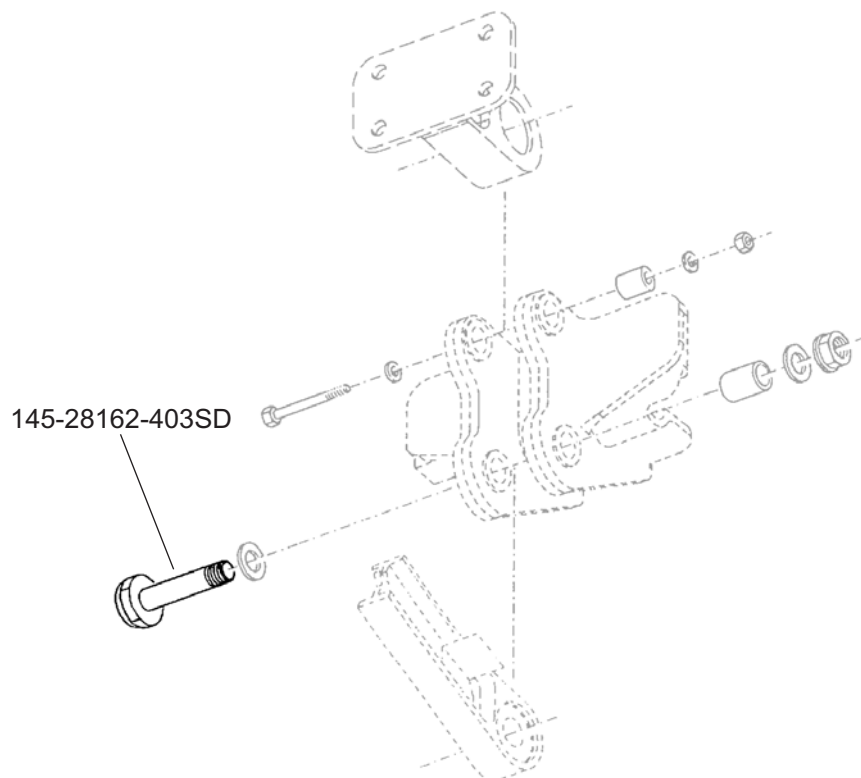
[See FAA-PMA Supplement](#)

IPC Reference:

EMB-135-27-31
EMB-145-27-31
EMB-135-55-22
EMB-145-55-22

Quantity:

2



Location:

Trim Tab II Instl, LH/RH