

HEICO

COVERING BAGGAGE DOOR FRAME

Seal Dynamics Part Number: 145-25397-409SD

Embraer Part Number: 145-25397-409

Next Higher Assembly Part Number: Protector Strip Instl Baggage Door

Eligibility:

[See FAA PMA Supplement](#)

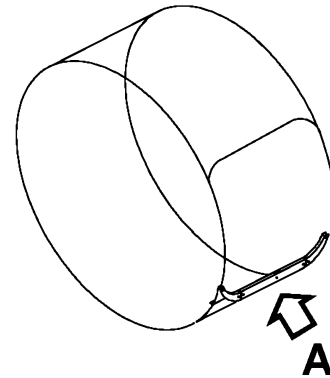
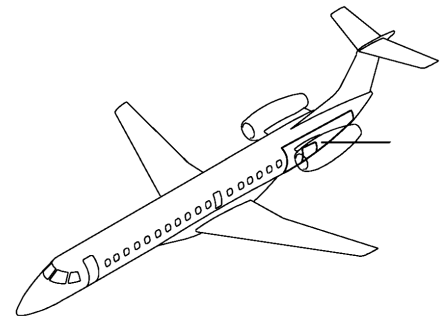
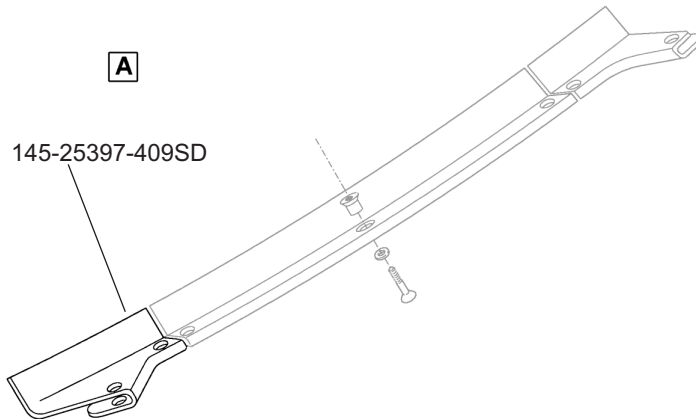
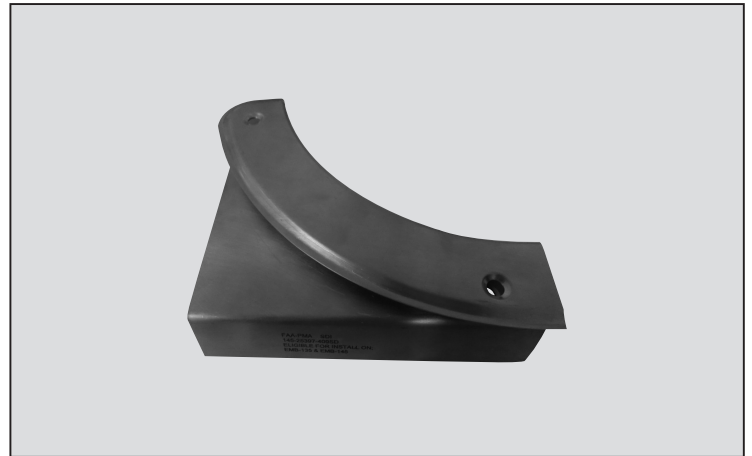
IPC Reference:

EMB-135-53-21

EMB-145-53-21

Quantity:

1 per NHA



Location:

Protector Strip Instl, Baggage Door