

# HEICO

## COVERING, BAGGAGE DOOR FRAME

Seal Dynamics Part Number: 145-25397-407SD

Embraer Part Number: 145-25397-407

Next Higher Assembly Part Number: Protector Strip Instl Baggage Door

**Eligibility:**

[See FAA PMA Supplement](#)

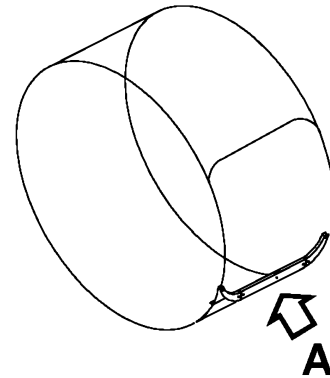
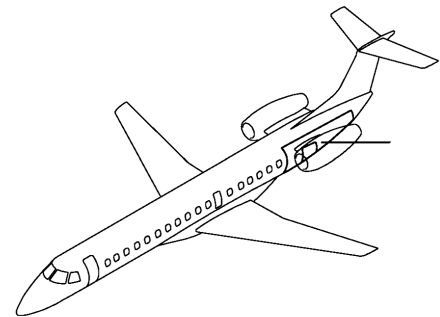
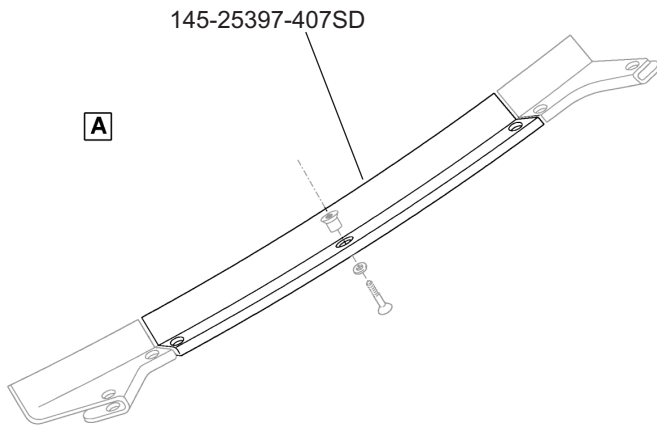
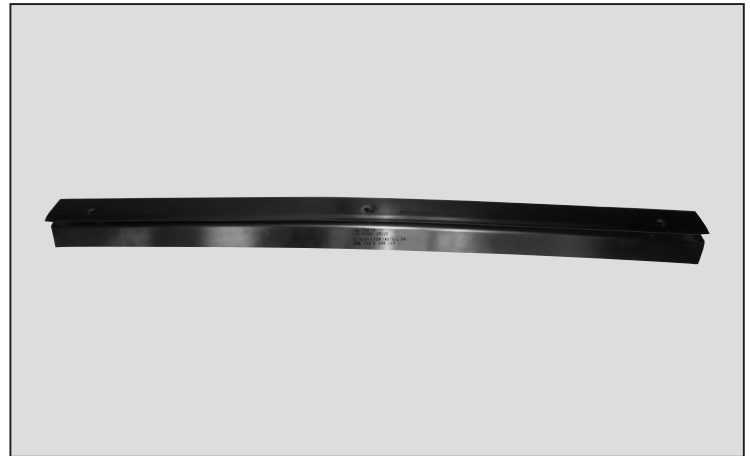
**IPC Reference:**

EMB-135-53-21

EMB-145-53-21

**Quantity:**

1 per NHA



**Location:**

Protector Strip Instl, Baggage Door