

PIN

Seal Dynamics Part Number 145-24982-005SD

Embraer Part Number 145-24982-005

Next Higher Assembly Part : 145-24987-401, -403, -405, -407
- Pin, Threaded Assembly

Eligibility:

[See FAA-PMA Supplement](#)

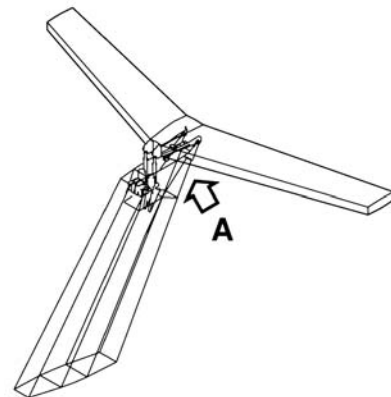
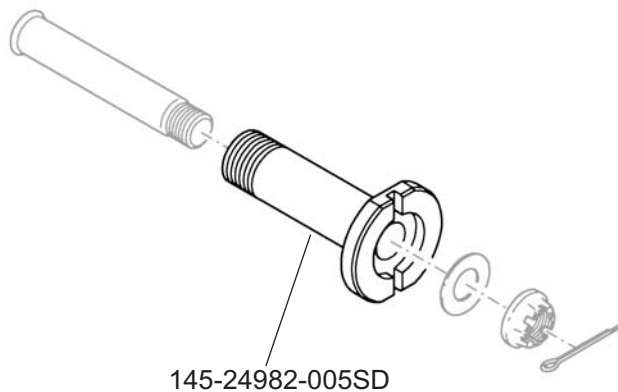
IPC Reference:

EMB-135-27-40

EMB-145-27-40

Quantity:

1



Location:

Horizontal Stabilizer Instl