

# HEICO

## SUPPORT ASSY

Seal Dynamics Part Number: 145-24229-403SD

Embraer Part Number: 145-24229-403

Next Higher Assembly Part Number: Roller Actuation Steps Instl, Main Door

### Eligibility:

[See FAA PMA Supplement](#)

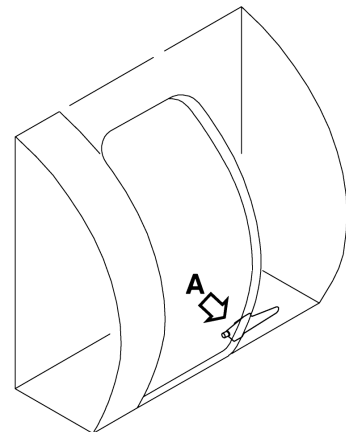
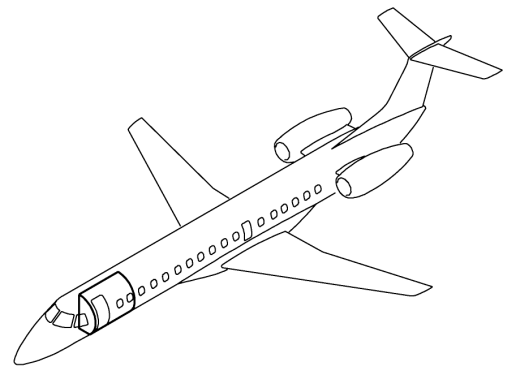
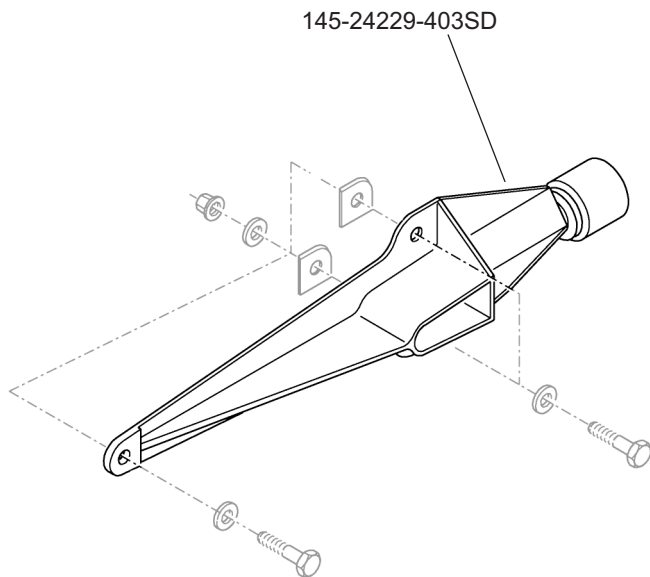
### IPC Reference:

EMB-135-53-21

EMB-145-53-21

### Quantity:

1 per NHA



### Location:

Roller Actuation Steps Instl,  
Main Door Frame