

HEICO

PLATE - SLIDE

Turbine Kinetics Part Number: 14330-235KT

Monogram Systems Part Number: 14330-235

Next Higher Assembly Part Number: 14330-050, 14330-230 - Valve Assy / Toilet Assy

Eligibility:

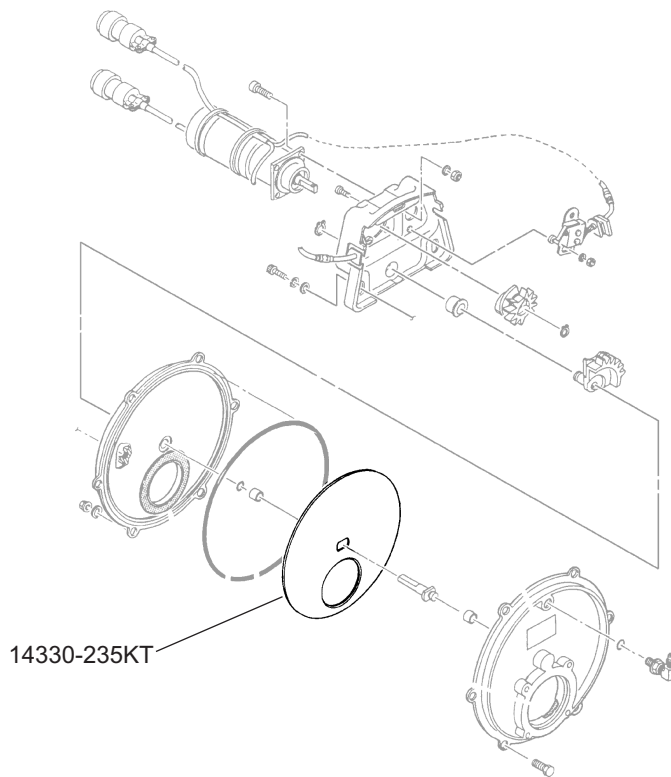
[See FAA PMA Supplement](#)

IPC Reference:

B737-38-32, B747-38-32, B757-38-32
B767-38-32, B777-38-32, A318-38-31
A319-38-31, A320-38-31, A321-38-31
BD-700-38-31, ERJ170-38-31
ERJ190-38-31

Quantity:

As required



Location:

Valve Assy-Lav A Flush Orbital Slide,
Vacuum Toilet