

HEICO

GEAR ASSY, SWITCH ACTUATING

Jet Avion Part Number: 14330-073JA

Monogram Sanitation Part Number: 14330-073

Next Higher Assembly Part Number: 14330-004A1, -004A2, -004B1, -004B2, -008-1, -008-2, 15800-012-1, -012-2, -019-1, -019-2 - Toilet Assembly

Eligibility:

[See FAA PMA Supplement](#)

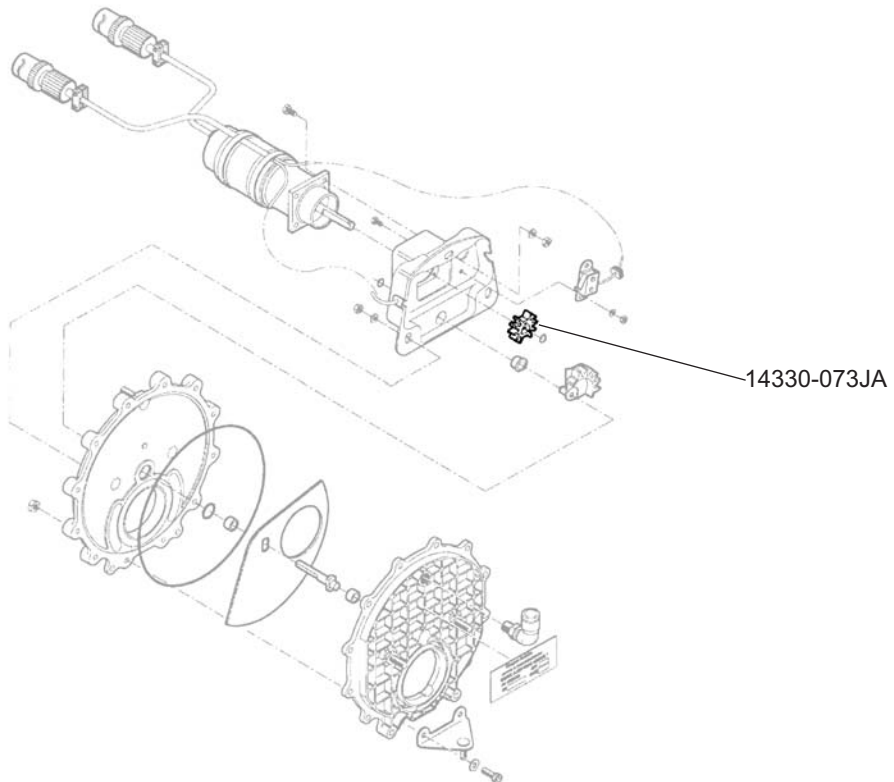
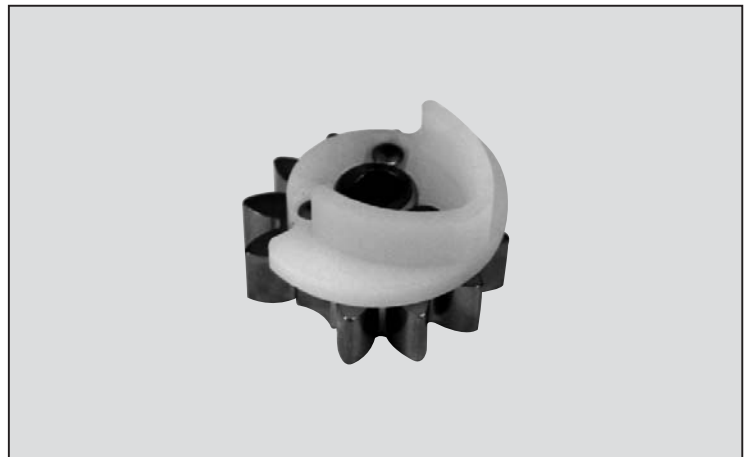
IPC Reference:

38-34-20

38-33-12

Quantity:

1 per Unit



Location:

Flush Valve Assembly