

# HEICO

## LINK ASSY - ARM

**Turbine Kinetics Part Number: 1378M17G01DEC**

**Middle River Aircraft Systems Part Number: 1378M17G01**

Next Higher Assembly Part Number: F7832442000060, 1292M28G16

- Link Arm – Thrust Reverser Blocker Door Instl, Z400 GE (Airbus), Blocker Door (Boeing)

### Eligibility:

See FAA PMA Supplement

### IPC Reference:

A330-78-32

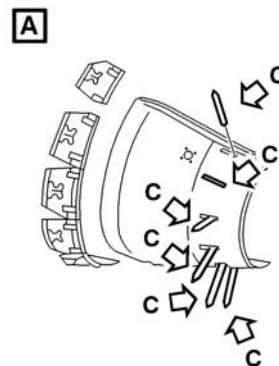
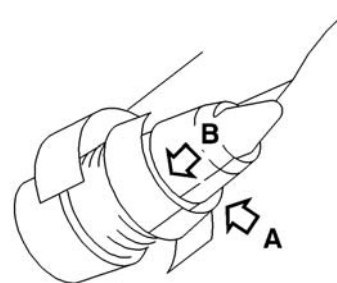
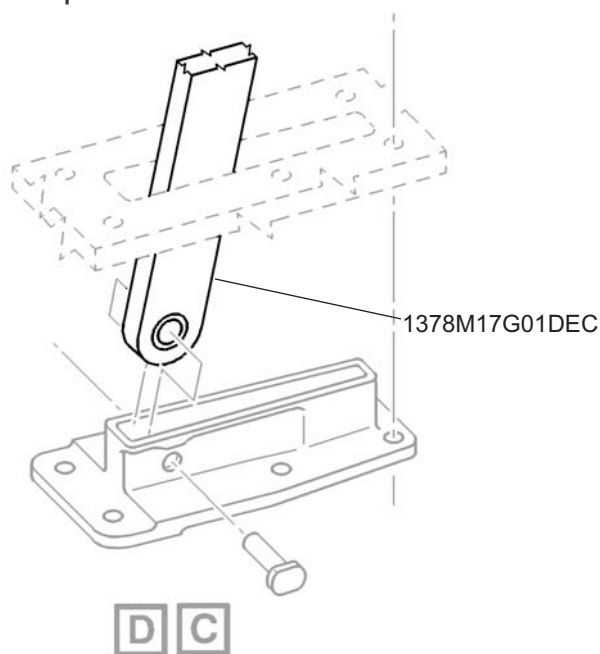
747-78-31

767-78-31

MD-11-78-31

### Quantity:

As required



### Location:

Link Arm - Thrust Reverser