

HEICO

SWITCH, MODULE

Flight Specialties Part Number: 13206-001FS

Korry Electronics Part Number: 13206-001

Next Higher Assembly: Korry 4336731001-1XXX Series, Korry 4336731004-4XXX Series

/ Boeing S231T290-1XXX/4XXX series, Korry 4336731004-42XX/43XX Series / Boeing S231T290-42XX/43XX Series
- Lighted Pushbutton Switch Indicator Assembly

[Click Here For NHA Details](#)

Eligibility:

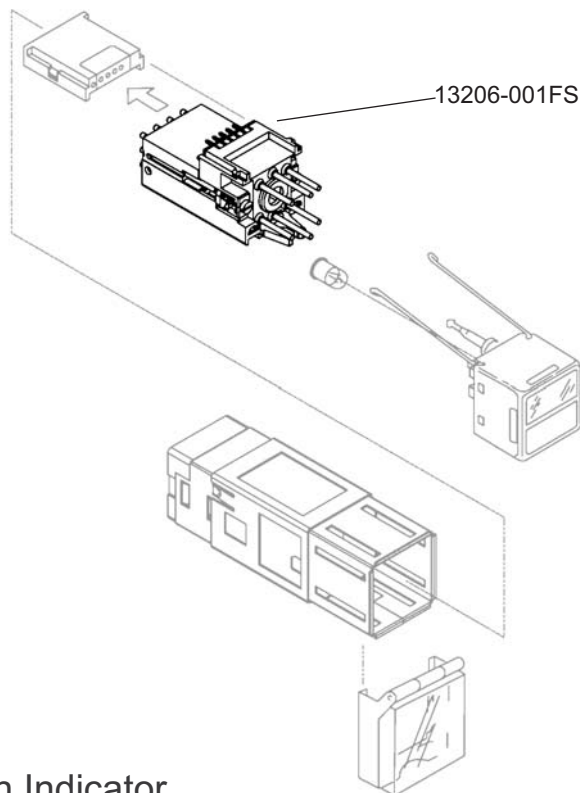
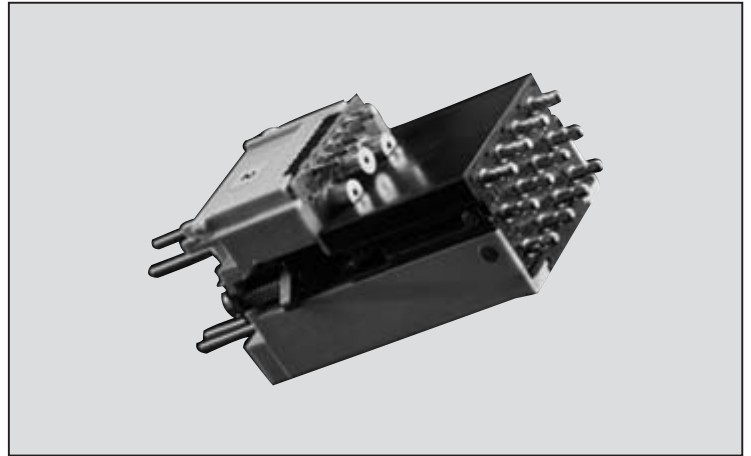
[See FAA PMA Supplement](#)

IPC Reference:

[Click Here For IPC Reference](#)

Quantity:

1 per NHA



Location:

Lighted Pushbutton Switch Indicator