

## CAP ASSEMBLY-SPRING RETAINER

Seal Dynamics Part Number 1291M25G01SD

Middle River Aircraft Systems Part Number 1291M25G01

[Next Higher Assembly : 1291M28G04](#)  
- Blocker Door

**Eligibility:**

[See FAA-PMA Supplement](#)

**IPC Reference:**

B747-78-31

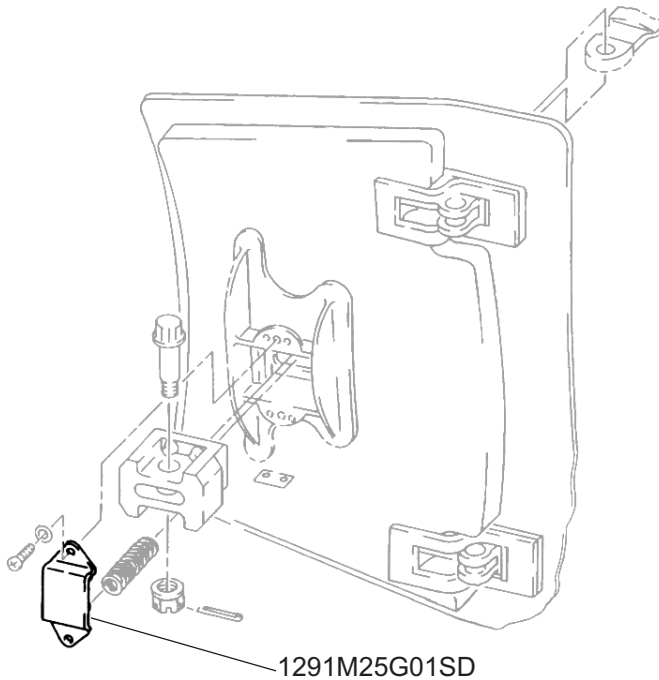
B767-78-31

MD-11-78-31

A330-78-32

**Quantity:**

6 per Unit



**Location:**

Reverser Assy-Fan RH