

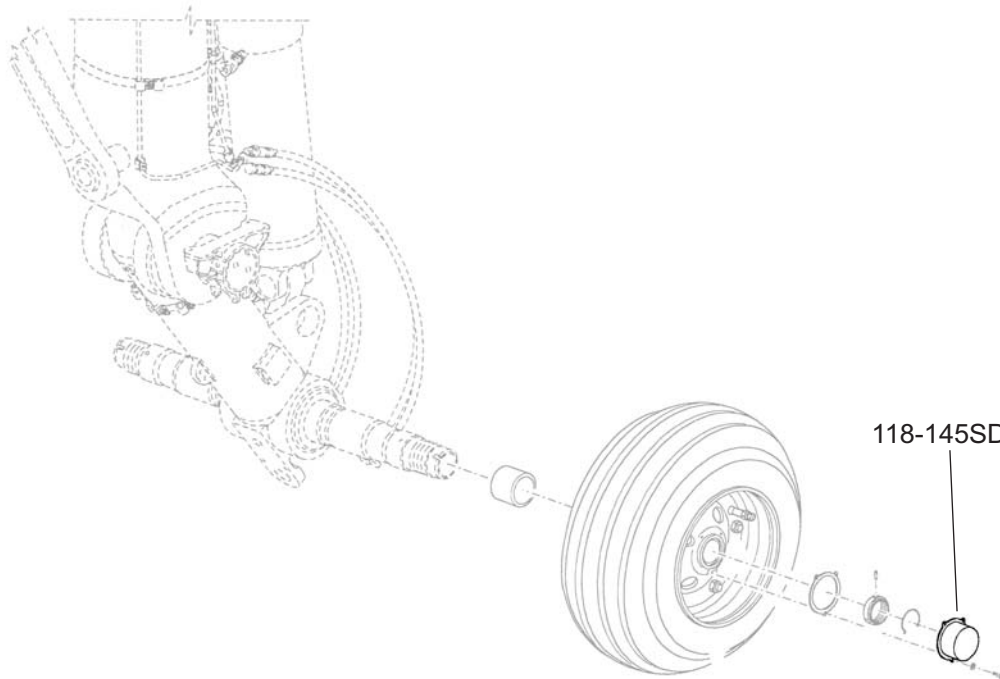
## HUB CAP ASSEMBLY

Seal Dynamics Part Number 118-145SD  
Goodrich Part Number 118-145  
[Next Higher Assembly Part : 145-20693-401, -403, -405](#)  
[- Wheel and Tire Assembly](#)

**Eligibility:**  
[See FAA-PMA Supplement](#)

**IPC Reference:**  
EMB-135-32-49  
EMB-145-32-49

**Quantity:**  
2



**Location:**  
Tire and Wheel Instl