

HEICO

STRUT ASSY - HOLD OPEN

Seal Dynamics Part Number: 116A8521-17SD

Boeing Part Number: 116A8521-17

Next Higher Assembly Part Number: 116A8520-30 - Door Assy - Refuel Valve

Eligibility:

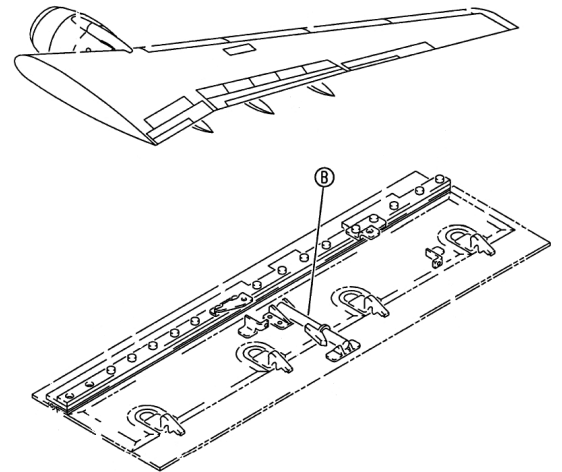
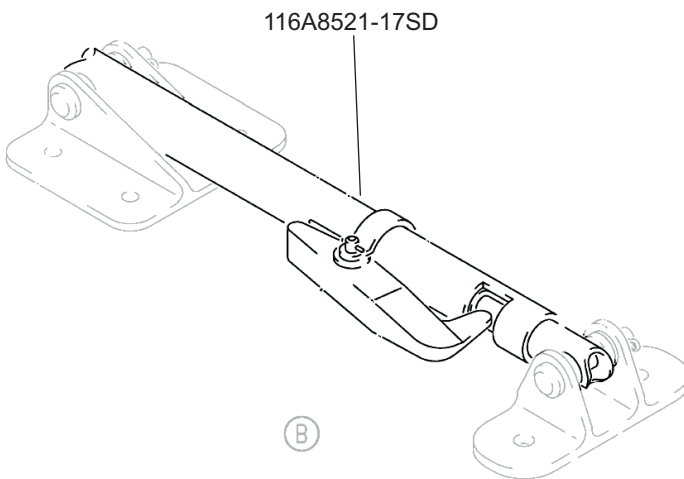
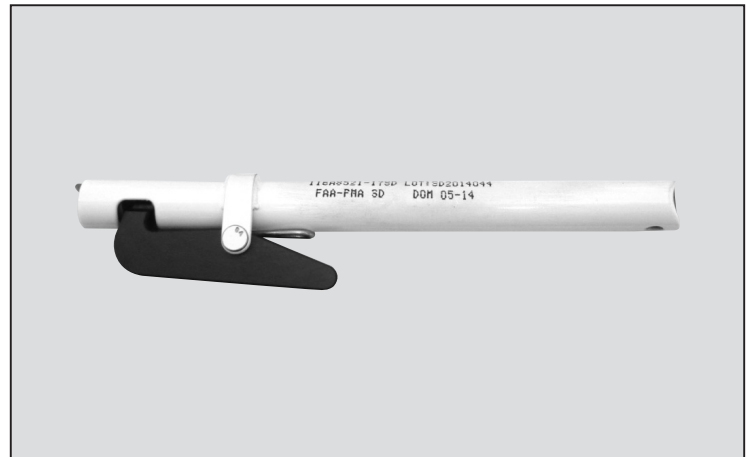
See FAA PMA Supplement

IPC Reference:

B737-52-49

Quantity:

1 per NHA



Location:

Door Assy-Refuel Valve