

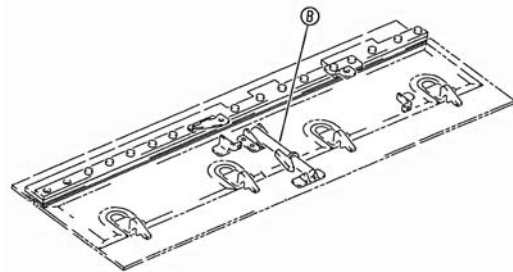
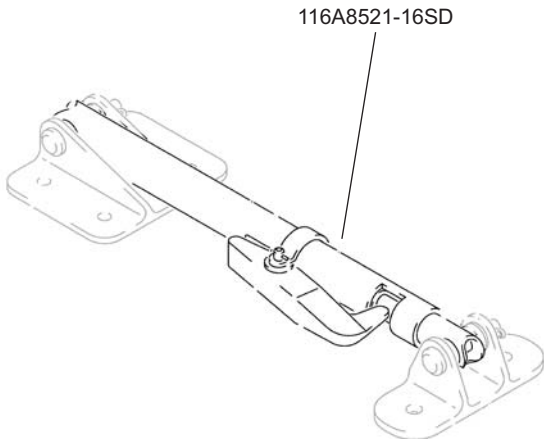
STRUT ASSEMBLY, HOLD OPEN

Seal Dynamics Part Number 116A8521-16SD
Boeing Part Number 116A8521-16
[Next Higher Assembly Part : 116A8520-30](#)
[- Door Assy - Refuel Valve](#)

Eligibility:
[See FAA-PMA Supplement](#)

IPC Reference:
B737-52-49

Quantity:
1



Location:
Door Assy-Refuel Outbd Fixed LE