

BUSH

Turbine Kinetics Part Number 114193607KT

Messier-Dowty Part Number 114193607

[Next Higher Assembly: 114193240, 201590200 - Cylinder Sub-Assembly; 201590001 - Actuator, Retraction](#)

Eligibility:

[See FAA-PMA Supplement](#)

IPC Reference:

A318-32-31

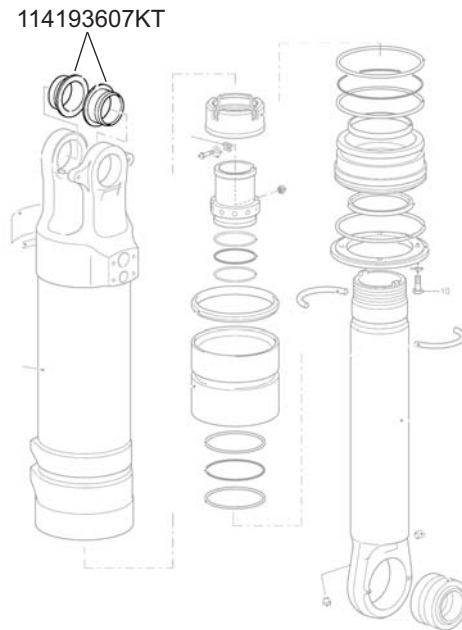
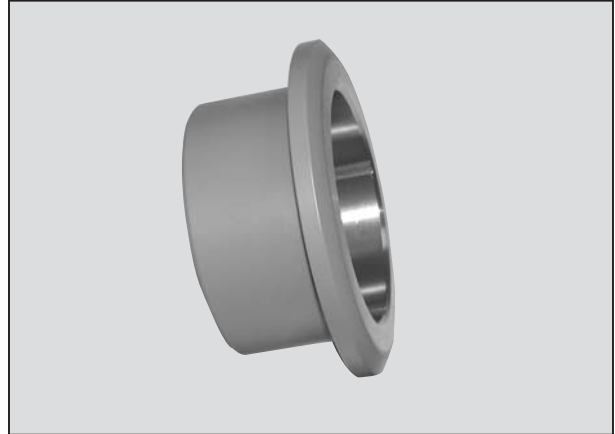
A319-32-31

A320-32-31

A321-32-31

Quantity:

2



Location:

Retraction Actuator