

## BUSHING

Turbine Kinetics Part Number 113A9209-1DEC

Boeing Part Number 113A9209-1

Next Higher Assembly Part : 113A9100-2, -3, -5, -6, -201, 113A9200-5, -6, -201, -202  
- Fairing Instl - Flap Sprt

**Eligibility:**

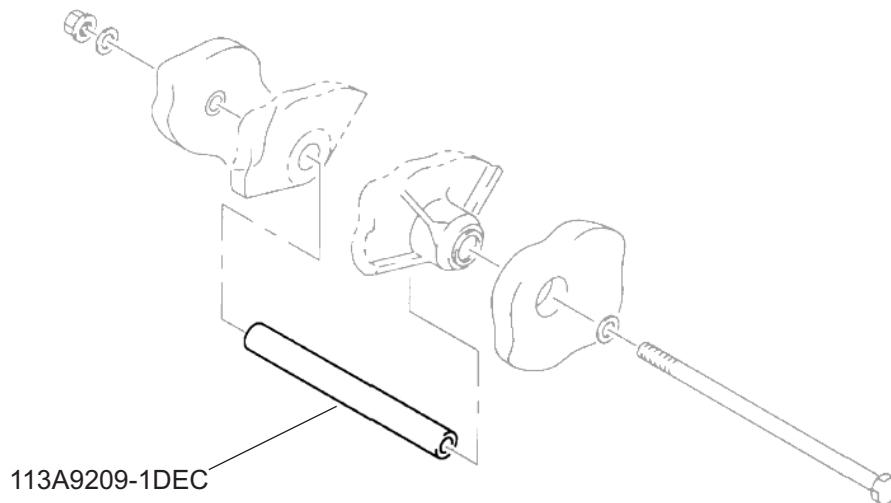
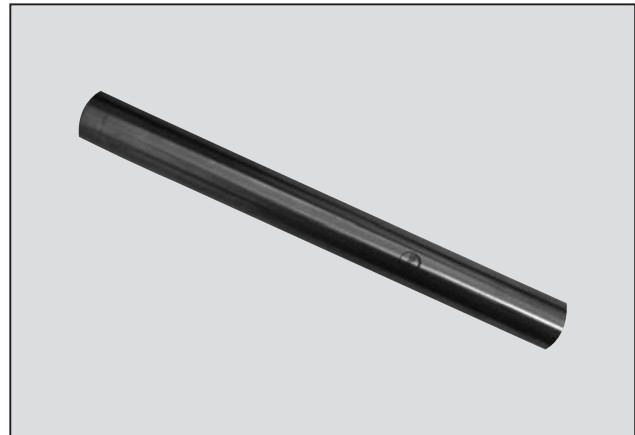
[See FAA-PMA Supplement](#)

**IPC Reference:**

B737-27-51

**Quantity:**

2



**Location:**

Fairing Instl-Flap Sprt  
No.2 and No.7 Outbd TE Flap