

## BUSHING

Seal Dynamics Part Number 112T1039-1SD

Boeing Part Number 112T1039-1

[Next Higher assembly : 112T1018-1, MR32744](#)  
[- Housing Assy](#)

**Eligibility:**

[See FAA-PMA Supplement](#)

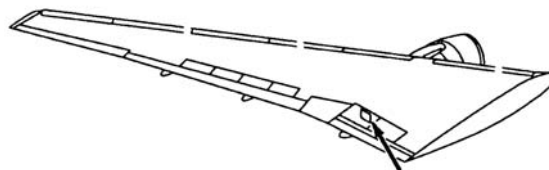
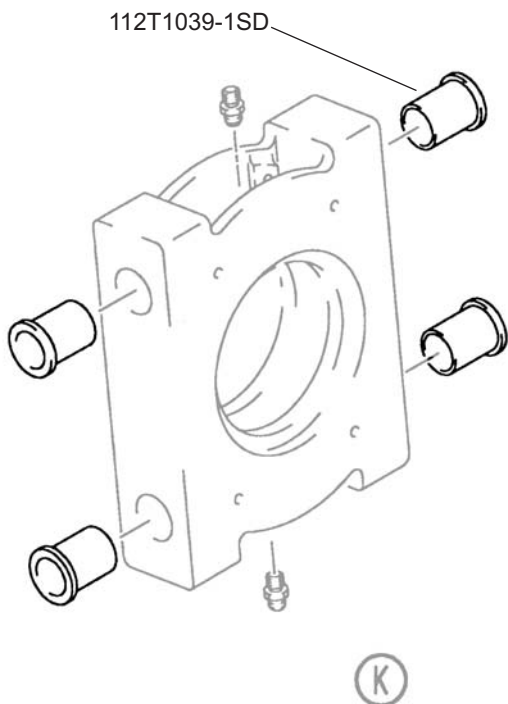
**IPC Reference:**

B767-57-11

B767-57-43

**Quantity:**

8



**Location:**

Support Instl-FWD Trun Bag