

SLIDER

Turbine Kinetics Part Number 1005783-165KT

B/E Aerospace Part Number 1005783-165

[Next Higher Assembly: 1005783-015, 1005783-016, 1006927-015, 1006927-025](#)
[- Arm Assembly, Footstool](#)

Eligibility:

[See FAA-PMA Supplement](#)

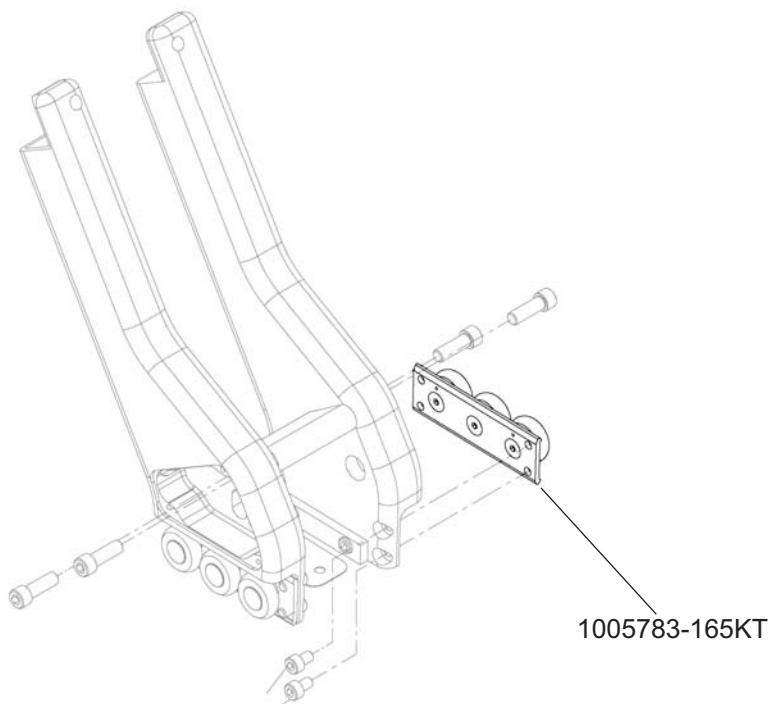
IPC Reference:

B747-25-25

B777-25-25

Quantity:

2



Location:

Arm Assembly, Footstool