

## FOOTWELL ASSEMBLY - OUTER

Seal Dynamics Part Number 1005616039FG01S, 1005616040FG01S

B/E Aerospace Part Number 1005616-039FG01, -040FG01

[Next Higher Assembly Part : 1005616-711FG01, -712FG01, -713FG01](#)

[- Installation - Footwell](#)

**Eligibility:**

[See FAA-PMA Supplement](#)

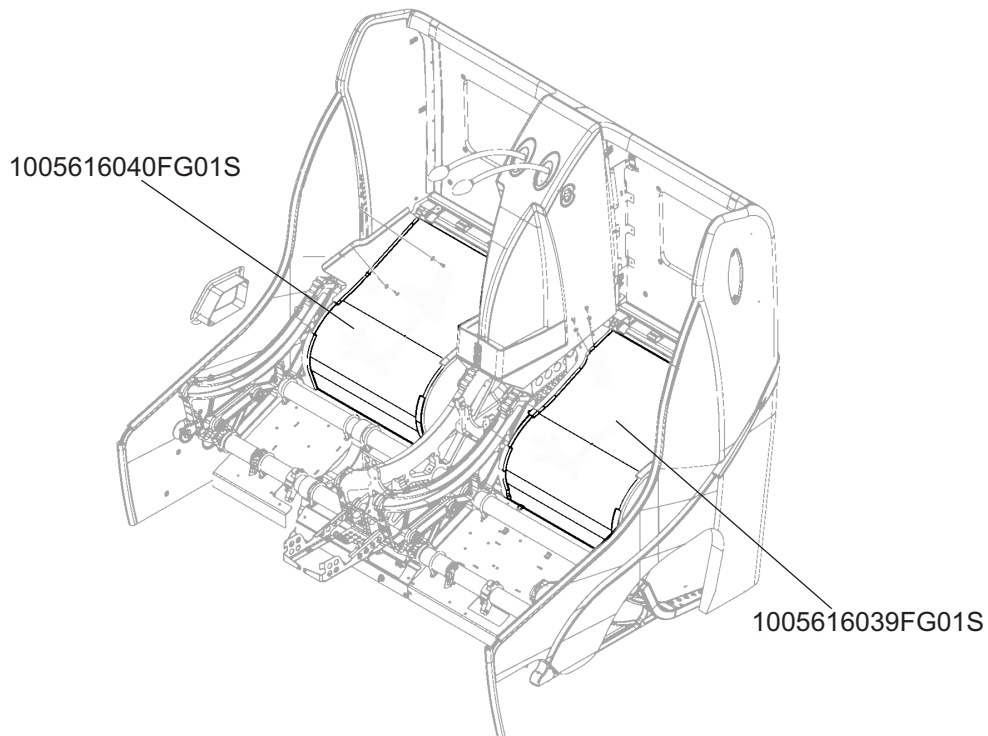
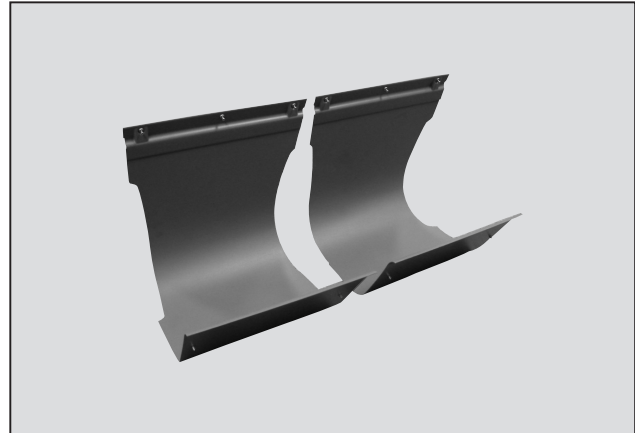
**IPC Reference:**

B777-25-25

A380-25-25

**Quantity:**

1



**Location:**

Footwell Installation