

HINGE ASSY

Turbine Kinetics Part Number 1001GKT

SELL Gmbh Premium-Aircraft Interiors Part Number 1001G

[Next Higher Assembly : F11011-001-309, F11011-001-311, F11012-001-317, F11012-001-319](#)
[- Console Assy](#)

Eligibility:

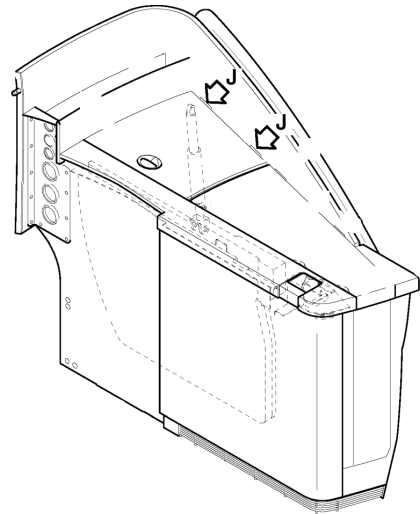
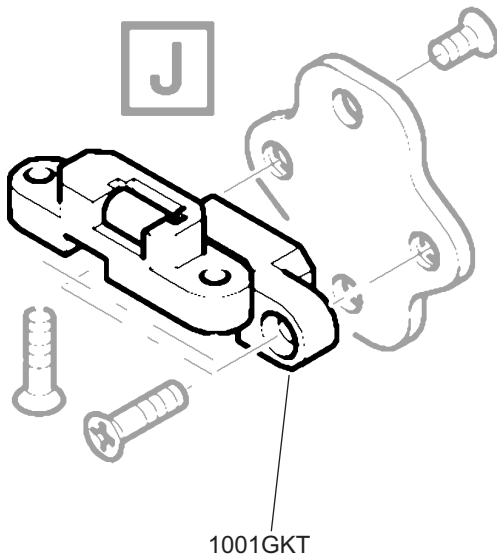
[See FAA-PMA Supplement](#)

IPC Reference:

B777-25-24

Quantity:

11 per Aircraft



Location:

Console Assy