

PIN

Flight Specialties Part Number 10-516124FS
Unison Industries Part Number 10-516124

Eligibility:

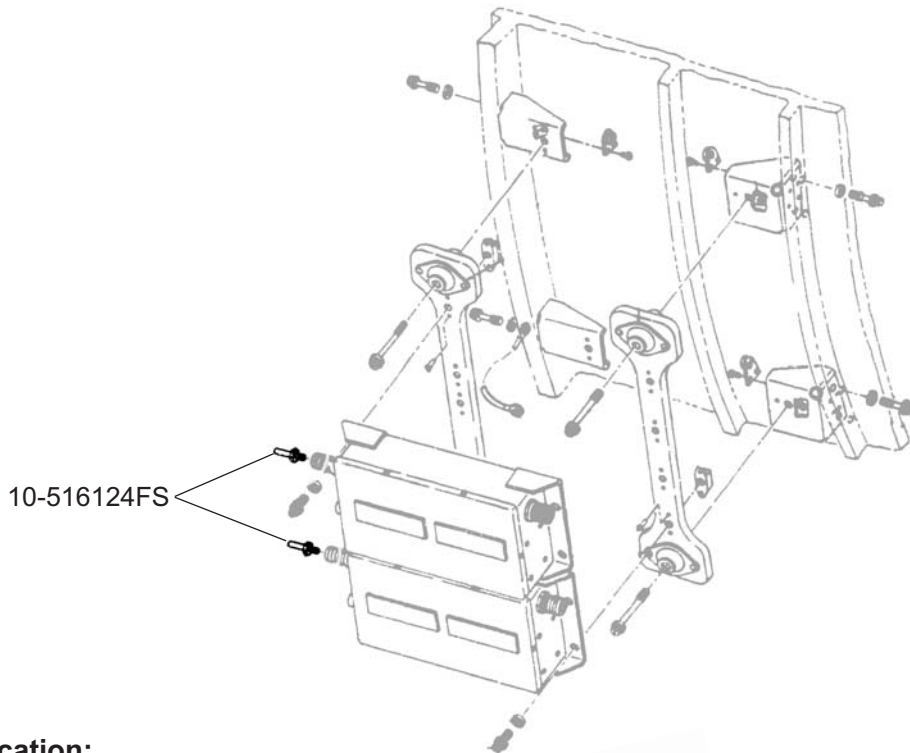
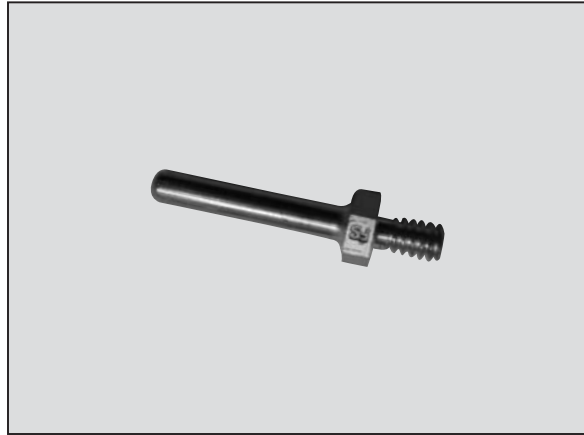
[See FAA/PMA Supplement](#)

IPC Reference:

CF6-74-11, GE90-74-11
CF34-74-00, CF34-74-11
CFM56-74-00, CFM56-74-11

Quantity:

2



Location:

Exciter Instl - Ignition

